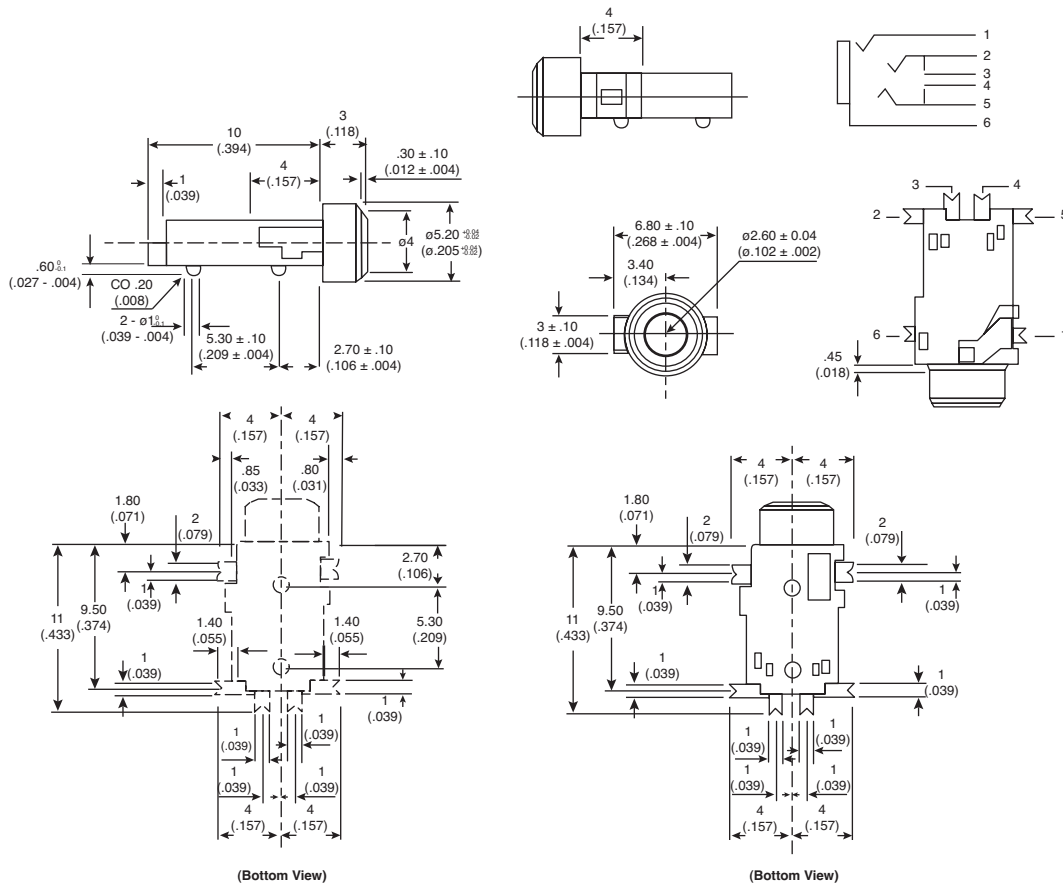


# 2.5mm Four Conductor Phone Jack



161-2828-E

2.5mm Four Conductor Phone Jack



Dimensions: mm (In.)

Specifications	
<b>Contact Resistance:</b>	30mΩ Max.
<b>Unspecified Tolerance:</b>	dimension shall be ± 0.3mm
<b>Insulation Resistance:</b>	100MΩ min. @ 500VDC
<b>Dielectric Strength:</b>	500 VAC for one minute
<b>Insertion and Extraction Force:</b>	4 to 20 N
<b>Body:</b>	PA Black
<b>Cover Terminal:</b>	gold plated copper
<b>Terminals:</b>	silver plated copper
<b>Life Cycle:</b>	5,000 cycles min.
<b>RoHS Compliant</b>	

Date Last Revised: 12-13-06

Available from Mouser Electronics  
1-800-346-6873  
www.mouser.com

KC-300950

161-2828-E