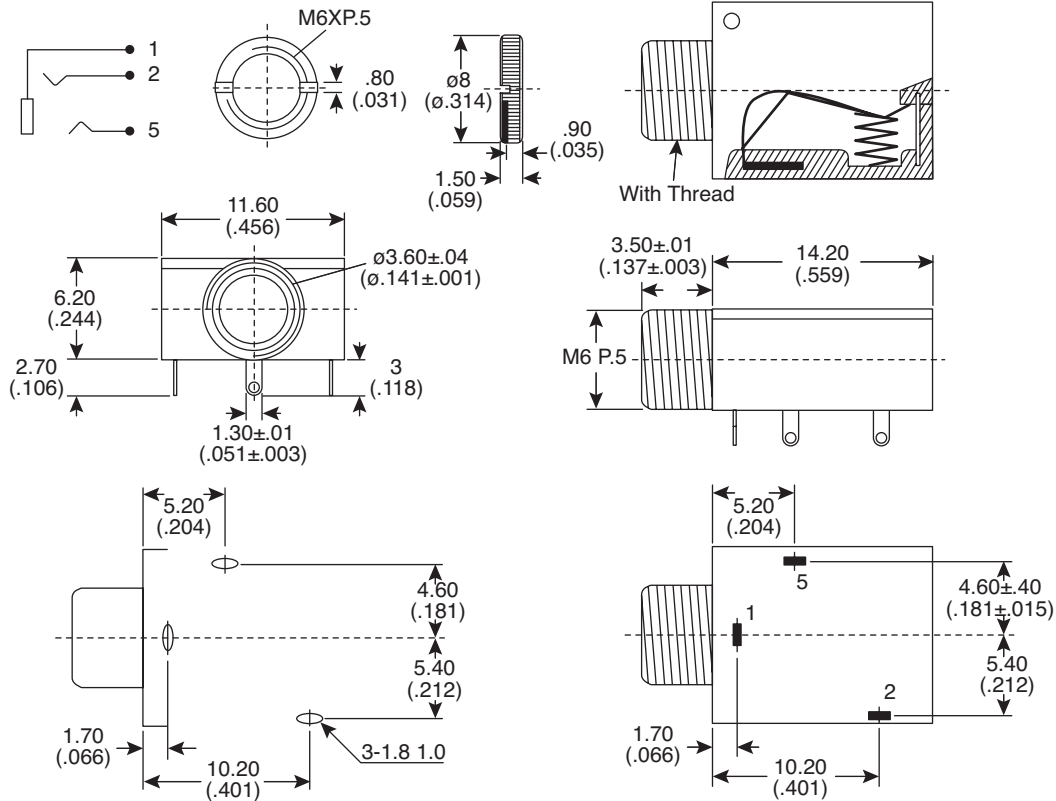


PCB Phone Jack

161-3507-E

KOBI CONN

PCB Phone Jack



Dimensions: mm (in.)

ELECTRICAL SPECIFICATIONS

Contact resistance:	30mΩ Max.
Insulation resistance:	100MΩ min.@ DC 500V
Dielectric Withstand Voltage:	AC 500V for one min.

MATERIAL SPECIFICATIONS

Nut:	1.50T Brass, Nickel Plated
Spring:	SUS-304
Cover:	PC, Transparent
Housing:	PA66+33%G, Black Color
Barrel (W/Thread):	Brass, Nickel Plated
Tip Spring:	.25T Phosphor Bronze, Silver Plated
Ring Spring:	.25T Phosphor Bronze, Silver Plated
Earth Terminal:	.4T Brass, Silver Plated
RoHS Compliant	

Date Last Revised: 6-28-07

Available from Mouser Electronics
1-800-346-6873 / www.mouser.com

KC-301159

Specifications are subject to change without notice. No liability or warranty implied by this information. Environmental compliance based on producer documentation.

161-3507-E