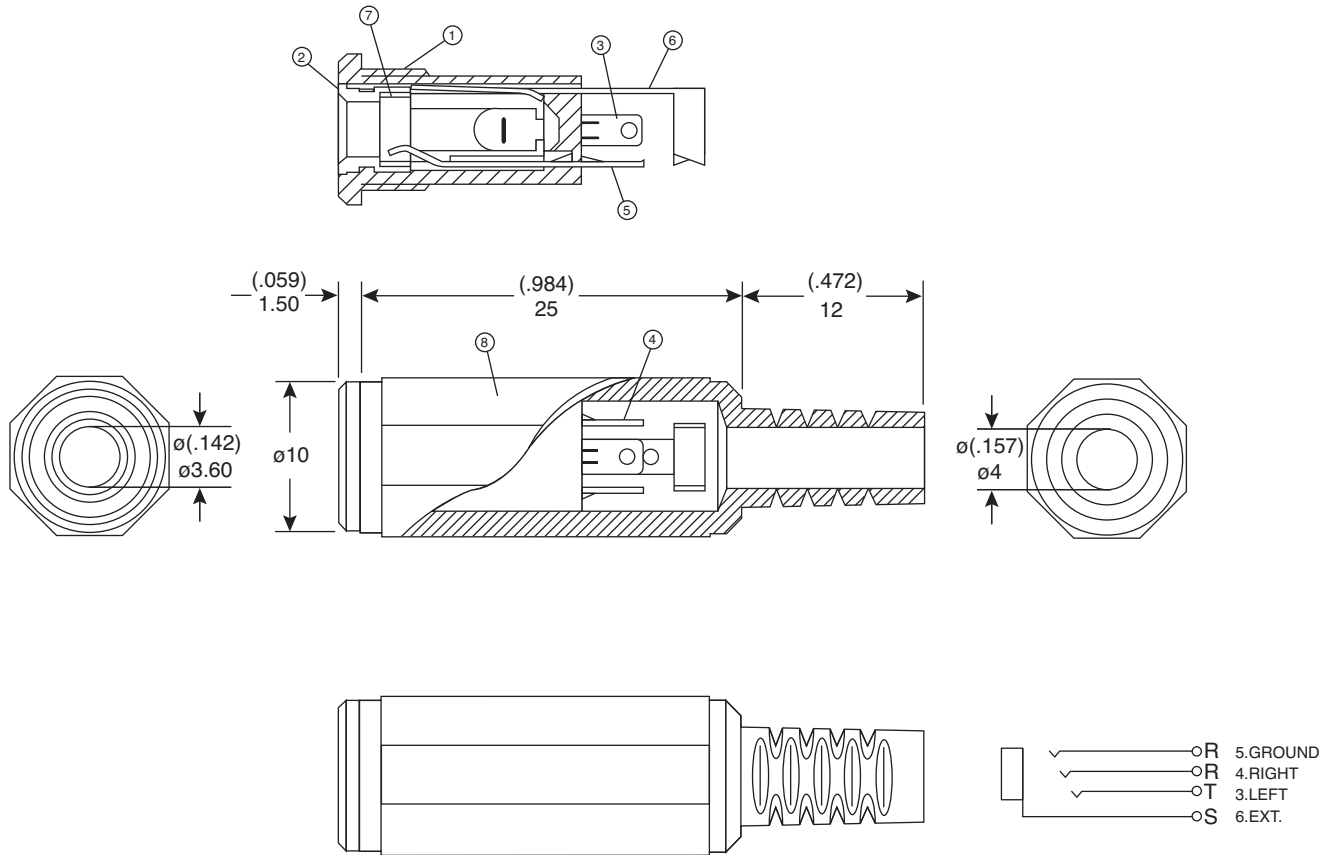


3.5mm 4 Cond In-Line Jack

161-6435-EX



3.5mm 4 Cond In-Line Jack



DIMENSIONS: mm (in.)

| ELECTRICAL SPECIFICATIONS | |
|-------------------------------|---------------------------|
| Dielectric Strength: | 500V AC for one minute. |
| Contact Resistance: | 50m Ohm Max. |
| Insulation Resistance: | 100M Ohm Min. at 500V DC. |

| MATERIAL SPECIFICATIONS | | | | |
|------------------------------------|-----------------|---------------|------|--------|
| LET | Part Name | Material | Qty. | Finish |
| 1 | Housing | PA | 1 | |
| 2 | Sleeve | BSBM | 1 | Ni |
| 3 | Contact 1 | FAB-EH t=0.25 | 1 | Ni |
| 4 | Contact 2 | FAB-EH t=0.25 | 1 | Au |
| 5 | Contact 3 | FAB-EH t=0.25 | 1 | Ni |
| 6 | Contact 4 | BSR t=0.3 | 1 | Ni |
| 7 | Insulation Tube | PVC | 1 | |
| 8 | Handle | PE | 1 | |
| Mating plug: | | 171-7435-EX | | |
| RoHS Compliant by Exemption | | | | |

161-6435-EX

Date Last Revised: 11-22-10

Available from Mouser Electronics
1-800-346-6873
www.mouser.com

KC-300960

Specifications are subject to change without notice. No liability or warranty implied by this information. Environmental compliance based on producer documentation.