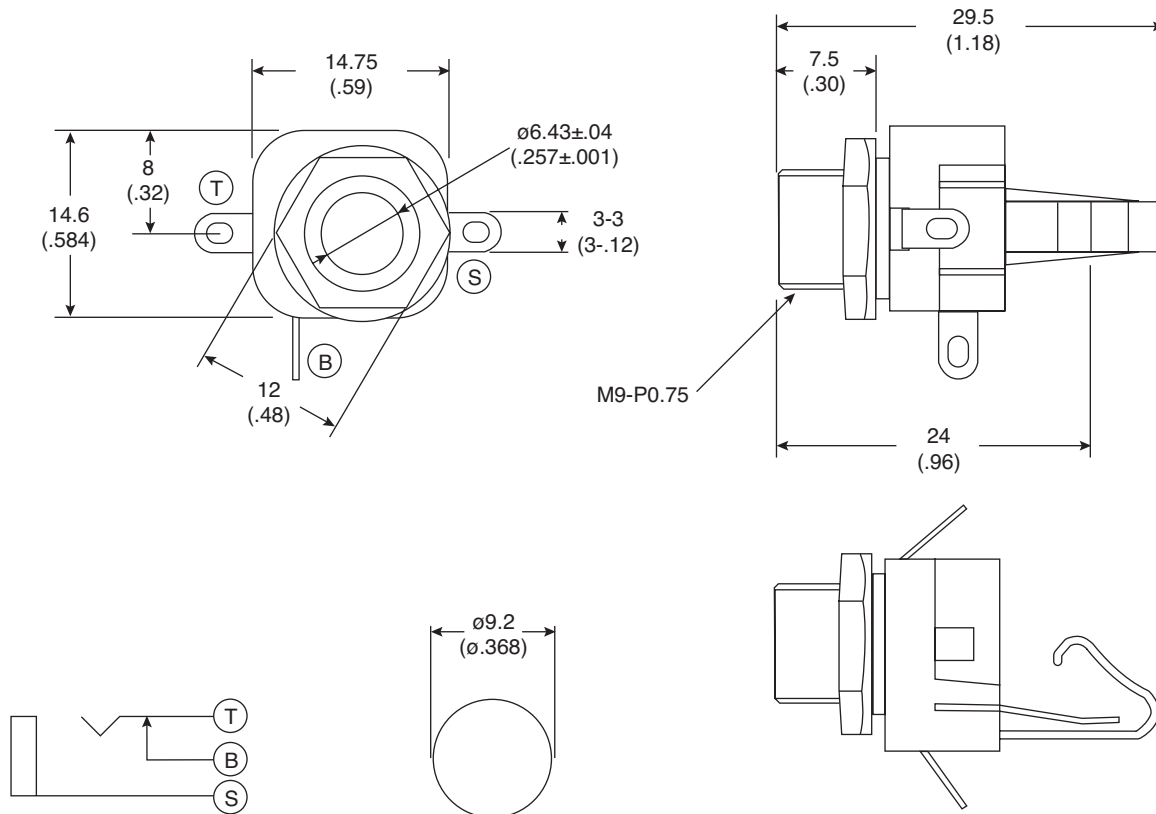


1/4" Mono Phone Jack

161-MJ160M-EX

KOBICONN

1/4" Mono Phone Jack



Dimensions: mm (in.)

Electrical Specifications	
Rating:	10A
Insulation Resistance:	100VDC 50M Ω Min.
Dielectric Strength:	250VAC 1 Minute
RoHS Compliant by Exemption	

Material Specifications		
Part Name	Material	Finish
Washer:	Steel	Nickel
Nut:	Steel	Nickel
Contact:	BSR-H t=0.4	Nickel
Spring:	FAB-EH t=0.5	Nickel
Terminal:	BSR-H t=0.4	Nickel
Insulator:	PC	
Sleeve	BSBM	Nickel
RoHS Compliant by Exemption		

Date Last Revised: 3-7-07

Available from Mouser Electronics
1-800-346-6873 / www.mouser.com

KC-301115

161-MJ160M-EX

Specifications are subject to change without notice. No liability or warranty implied by this information. Environmental compliance based on producer documentation.