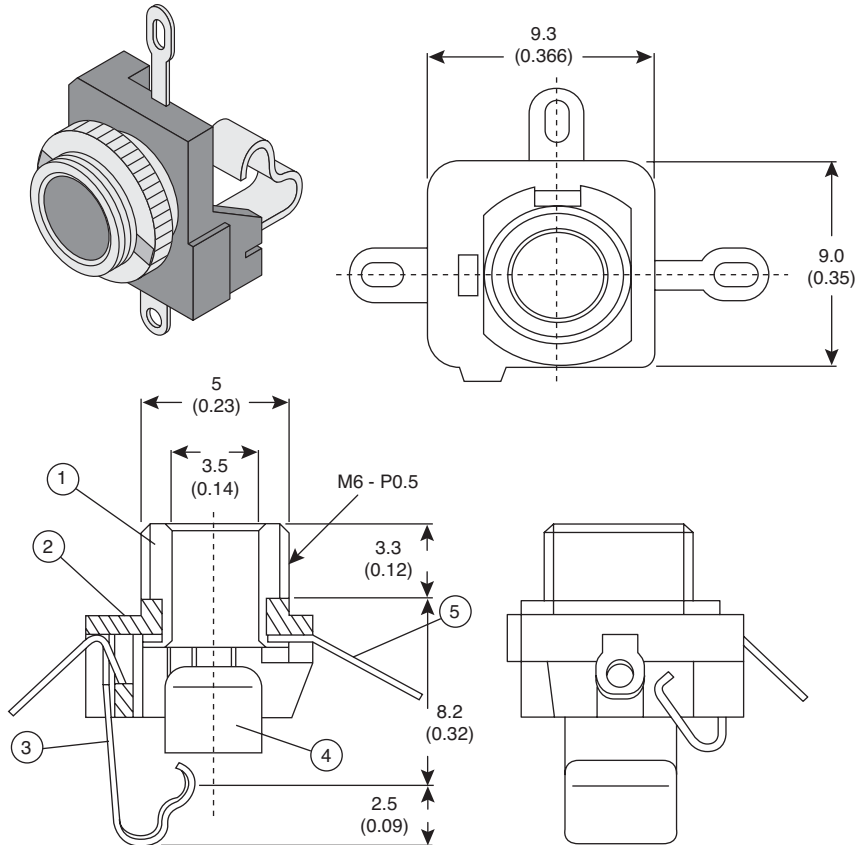


3 Conductor Mini Stereo Jack Open Circuit (3.50 - 3)

161-MJ082-EX



3 Conductor Mini Stereo Jack Open Circuit (3.50 - 3)



Dimensions: mm (IN.)

No.	Part Name	Material	Finish
1	Sleeve	BSBM	Ni
2	Body	PC	-
3	Contact A	Y- cut, t = 0.25	Ni
4	Contact B	BSR-H, t = 0.3	Ni
5	Terminal	BSR, t = 0.3	Ni

SPECIFICATIONS

RoHS Compliant by Exemption

Date Last Revised: 12-12-05

Available from Mouser Electronics
1-800-346-6873
www.mouser.com

KC- 300836

161-MJ082-EX