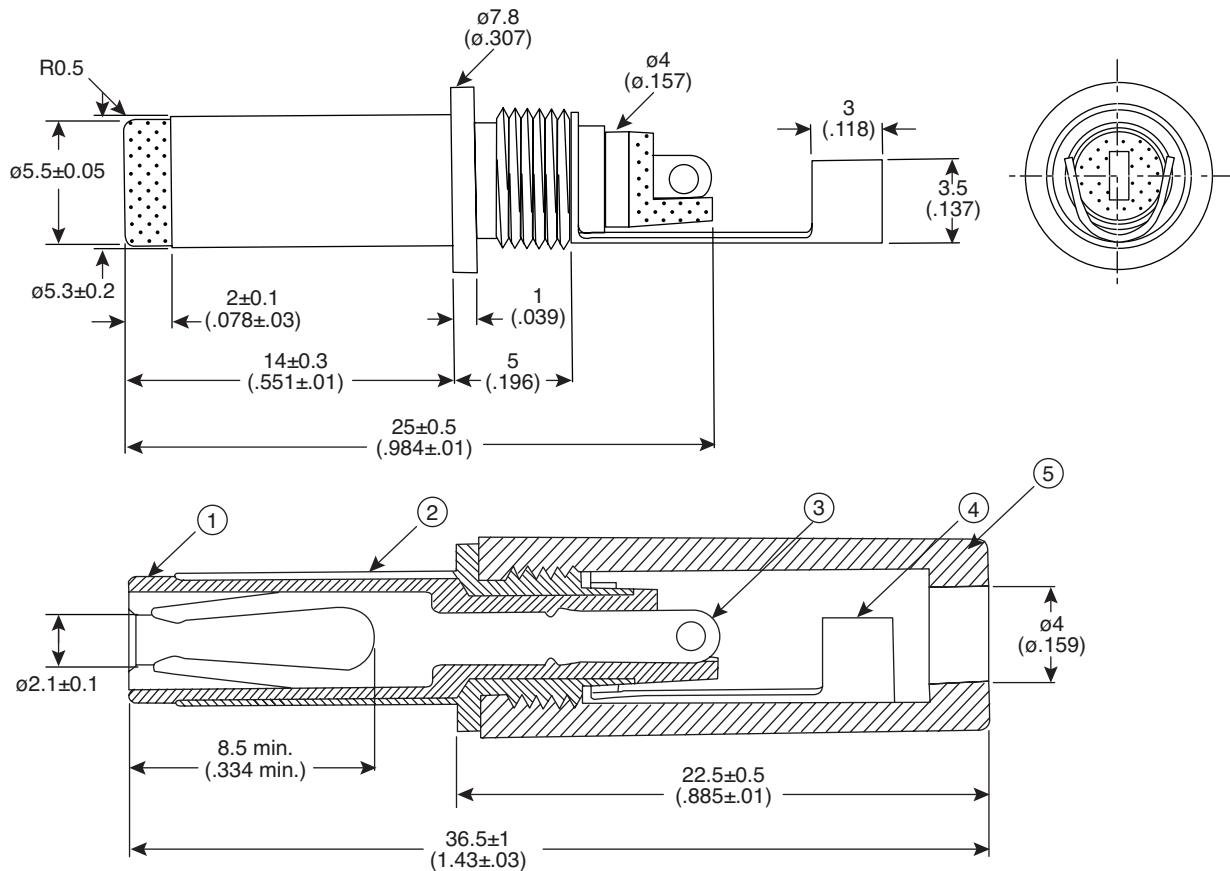


DC Power Plug

171-PA5521A-1-E



DC Power Plug



Dimensions: mm (in.)
except where noted

ELECTRICAL SPECIFICATIONS	
DC Power Rating:	12 VDC / 2A
Withstand Voltage:	AC500V / 1 minute
Insulation Resistance:	DC 500V / 100M ohms
Contact Resistance:	60m ohms

MATERIAL SPECIFICATIONS	
1:	P.O.M. Black
2:	Brass Nickel
3:	Brass Nickel
4:	Brass Nickel
5:	ABS Black
RoHS Compliant	

Date Last Revised: 4/3/07

Available from Mouser Electronics
1-800-346-6873 / www.mouser.com

KC- 301142

Specifications are subject to change without notice. No liability or warranty implied by this information. Environmental compliance based on producer documentation.

171-PA5521A-1-E