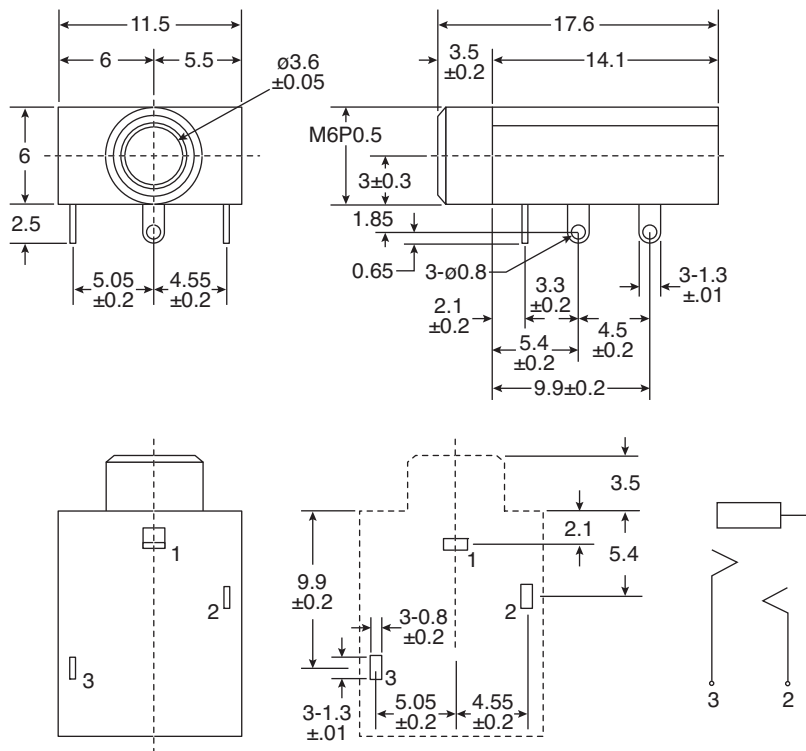


Phone Jack Stereo 3.5mm

161-MJ352-EX



Phone Jack Stereo 3.5mm



Dimensions: mm

MATERIAL SPECIFICATION:

Part Name	QTY	Material	Plating	Remarks
Body	1	Noryl	----	Black (UL94V-0)
Cover	1	P.C.	----	----
Main Terminal A	1	BsR2-H 0.3t	Ag	(Tip Contact)
Main Terminal B	1	BsR2-H 0.25t	Ag	(Ring Contact)
Earth Terminal	1	BsR2-H 0.4t	Ag	(Sleeve Contact)
Spring (A)	1	SUS-304	----	Heat Treatment
Spring (B)	1	SUS-304	----	Heat Treatment
Metal	1	BsBM2	Ni-3	----

RoHS Compliant by Exemption

Date Last Revised: 08/26/09

Available from Mouser Electronics
1-800-346-6873 / www.mouser.com

KC-301375

161-MJ352-EX

Specifications are subject to change without notice. No liability or warranty implied by this information. Environmental compliance based on producer documentation.