

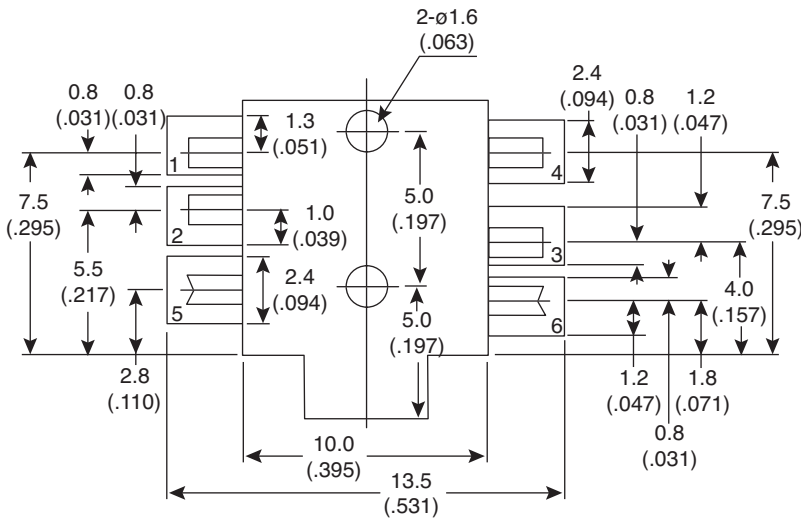
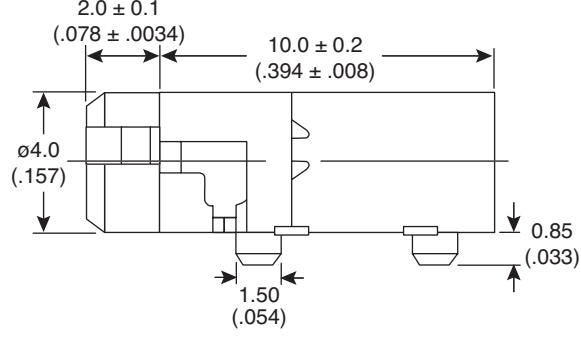
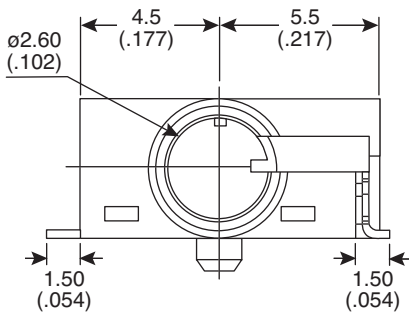
# SMD Phone Jack

161-2624-E

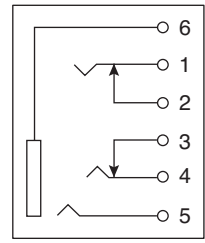


SMD Phone Jack

161-2624-E



Tolerance	
X.	0.6
X.X	0.3
X.XX	0.15



P.C.B Layout  
(Bottom View)  
± 0.1 (.0039)

Dimensions: (IN.) mm

SPECIFICATIONS	
<b>Voltage rating:</b>	16 VDC
<b>Current rating:</b>	0.3 A
<b>Contact resistance:</b>	30m Ω
<b>Insulation resistance:</b>	100M Ω 500 VDC
<b>Dielectric strength:</b>	500 VAC 1 min.
<b>Durability:</b>	5000 cycles
<b>Insertion force:</b>	.03 Kg to 2.0 Kg
<b>Extraction force:</b>	.2 Kg to 2.0 Kg
<b>Soldering temperature:</b>	260°C 5 sec.
<b>Operating temperature:</b>	-25°C to +85°C
<b>Contacts:</b>	Brass
<b>Housing:</b>	LCP
<b>Plating contacts:</b>	Phosphor bronze
RoHS Compliant	

Date Last Revised: 7-3-06

**Available from Mouser Electronics**  
1-800-346-6873  
www.mouser.com

KC-300974

Specifications are subject to change without notice. No liability or warranty implied by this information. Environmental compliance based on producer documentation.