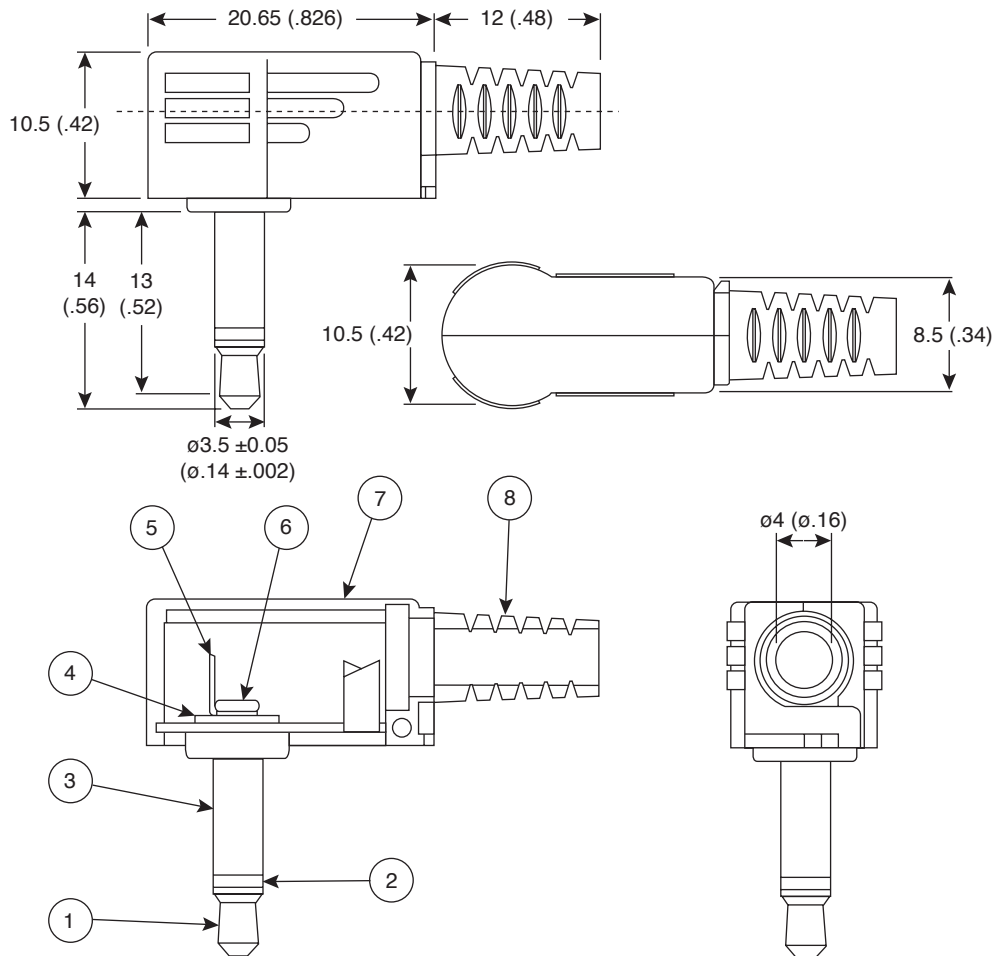


Right Angle Mono Plug

171-0350-EX

KOBICONN

Right Angle Mono Plug



No.	Part Name	Qty.	Material	Finish
1	Contact A	1	Brass	Ni
2	Insulator A	1	Ebonite	
3	Contact B	1	Steel	Ni
4	Insulator B	1	Ebonite	
5	Terminal	1	Brass	Ni
6	Pin	1	Steel	Ni
7	Cap	1	P.P	
8	Protector	1	P.V.C	

Dimensions: mm (In.)

SPECIFICATIONS	
Insulation resistance:	100M Ω @ 500VDC
Dielectric strength:	500VAC for one min.
RoHS Compliant by Exemption	

Date Last Revised: 12-26-05

Available from Mouser Electronics
1-800-346-6873
www.mouser.com

KC-300876

171-0350-EX