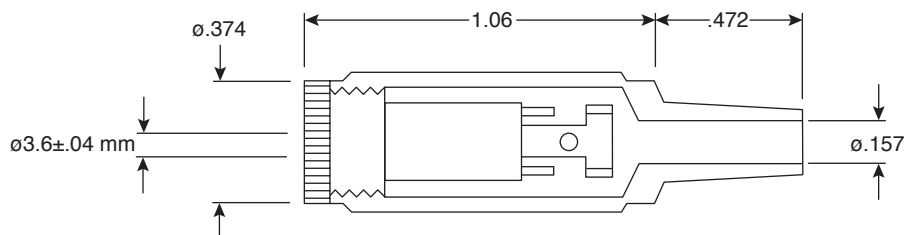
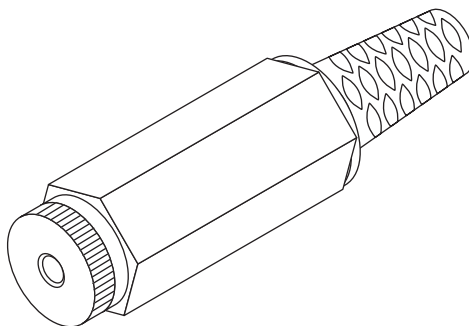


Jack

16PJ225-EX



Jack



Dimensions: In.
(except where noted)

SPECIFICATIONS	
Type:	3.5mm inline mono
Breakdown voltage:	500VAC for 1 minute
Insulation resistance:	100MΩ min. @ 500VDC
Contact resistance:	50mΩ max.
Rated life:	5,000 cycles min.
Contact A:	nickel plated brass
Contact B:	nickel phated phosphor bronze
Cap:	polyethylene
Body:	polyamide
Terminal:	nickel plated brass
RoHS Compliant by Exemption	

Date Last Revised: 12-12-05

Available from Mouser Electronics
1-800-346-6873
www.mouser.com

KC-300851

16PJ225-EX