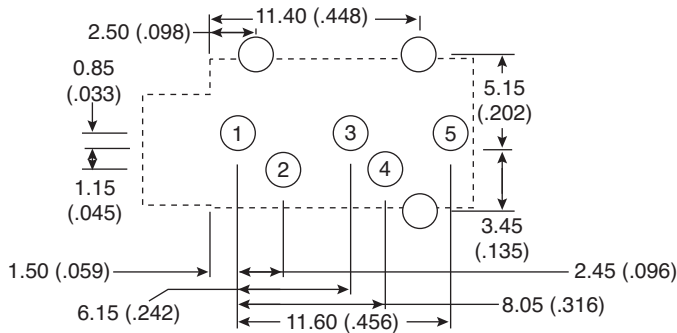
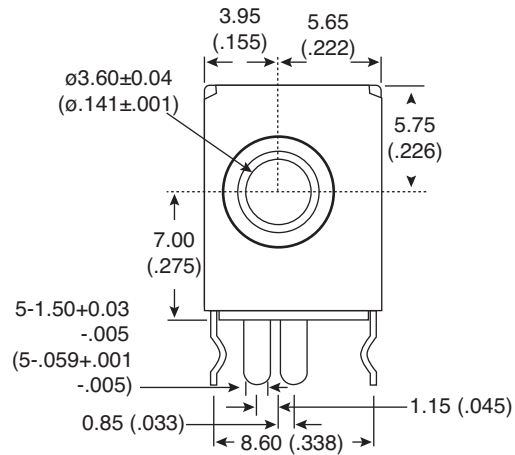
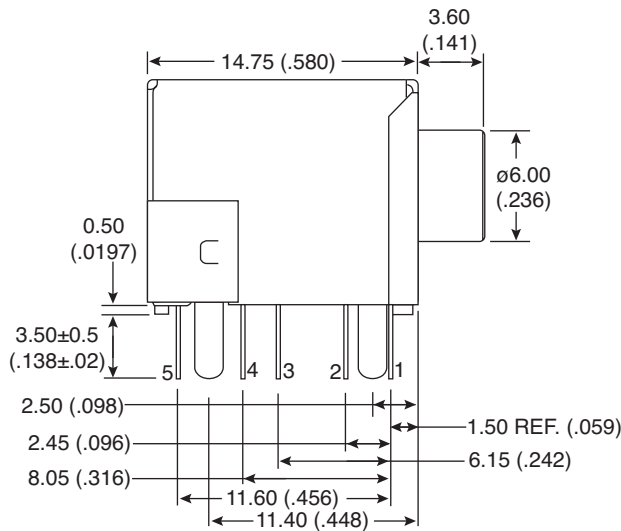


3.5mm Stereo Jacks, Shielded

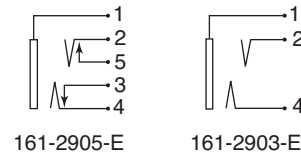
161-2903-E, 161-2905-E



3.5mm Stereo Jacks, Shielded



SCHEMATIC



Dimensions: mm (in)

**RECOMMENDED PCB LAYOUT
(COMPONENT SIDE)
P.C.B. THICKNESS=1.60mm**

SPECIFICATIONS

Housing:	High Temperature Plastic UL94V-0
Terminal:	Copper Alloy
Terminal Plating:	Gold Flash on Contact and Solder all Over Nickel
Voltage:	30V DC
Current:	0.5A
Operating Temperature:	-25°C to 70°C
Contact Resistance:	30mΩ max.
Dielectric Strength:	500 VAC for 1 min.
Solderability:	Submerged contacts into Flux for 5~10 sec. then inot solder bath, controlled at 260±5°C for 4~5 sec.

Date Last Revised: 01-24-08

Available from Mouser Electronics
1-800-346-6873 / www.mouser.com

KC-301209

Specifications are subject to change without notice. No liability or warranty implied by this information. Environmental compliance based on producer documentation.

161-2903-E, 161-2905-E