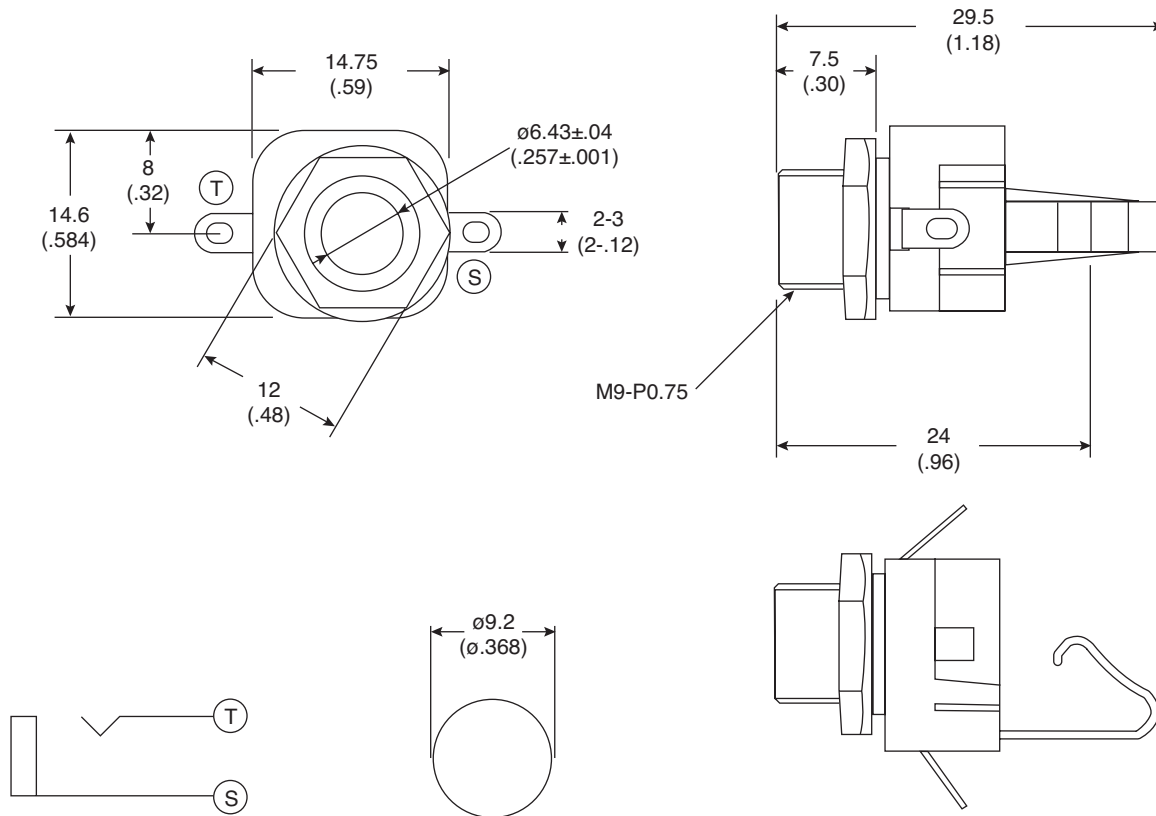


# 1/4" Mono Phone Jack

161-MJ159M-EX

**KOBI**CONN

1/4" Mono Phone Jack



Dimensions: mm (in.)

Electrical Specifications	
<b>Rating:</b>	10A
<b>Insulation Resistance:</b>	100VDC 50M $\Omega$ Min.
<b>Dielectric Strength:</b>	250VAC 1 Minute
<b>Mechanical Lifecycle:</b>	5 cycles/min.
<b>Insertion Force:</b>	2 Kgs. min.
<b>Extraction Force:</b>	4 Kgs. max.

Material Specifications		
Part Name	Material	Finish
<b>Washer:</b>	Steel	Nickel
<b>Nut:</b>	Steel	Nickel
<b>Spring:</b>	FAB-EH t=0.5	Nickel
<b>Terminal:</b>	BSR-H t=0.4	Nickel
<b>Insulator:</b>	PC	
<b>Sleeve</b>	BSBM	Nickel
RoHS Compliant by Exemption		

Date Last Revised: 3-22-07

Available from Mouser Electronics  
1-800-346-6873 / [www.mouser.com](http://www.mouser.com)

KC-301116

161-MJ159M-EX

Specifications are subject to change without notice. No liability or warranty implied by this information. Environmental compliance based on producer documentation.