

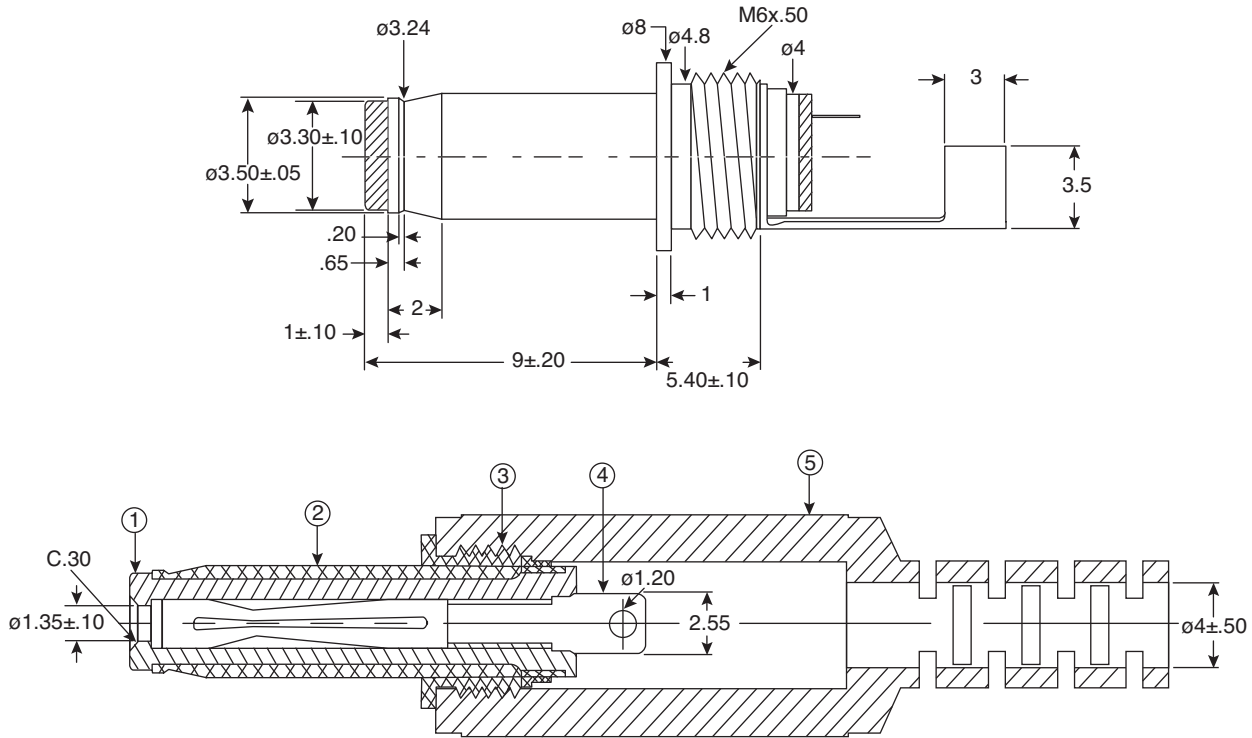
# DC Power Plug

171-PA35135-E



DC Power Plug

171-PA35135-E



Dimensions: mm

## MATERIAL SPECIFICATIONS

1	POM Black
2	Brass Nickel
3	Brass Nickel
4	P-Bronze Nickel
5	PVC Black
6	Brass Nickel
RoHS Compliant	

Date Last Revised: 10-23-08

Available from Mouser Electronics  
1-800-346-6873 / [www.mouser.com](http://www.mouser.com)

KC-301325

Specifications are subject to change without notice. No liability or warranty implied by this information. Environmental compliance based on producer documentation.