

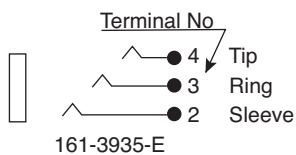
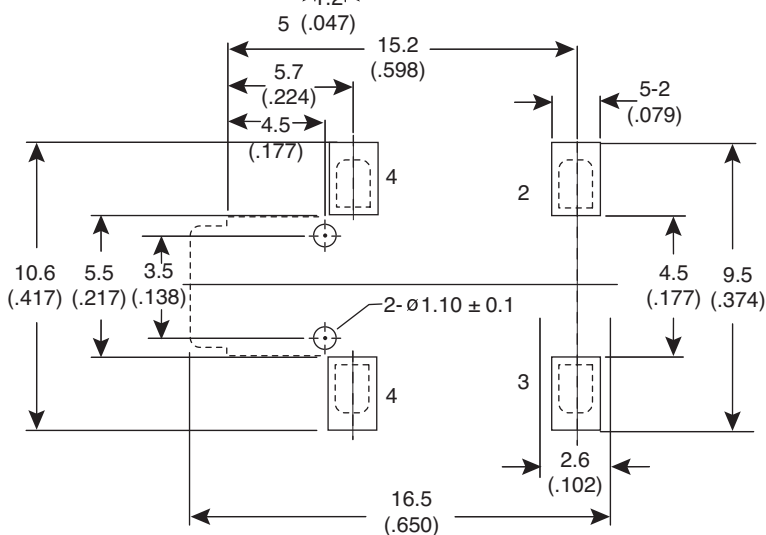
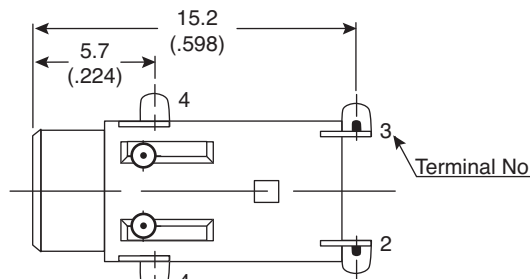
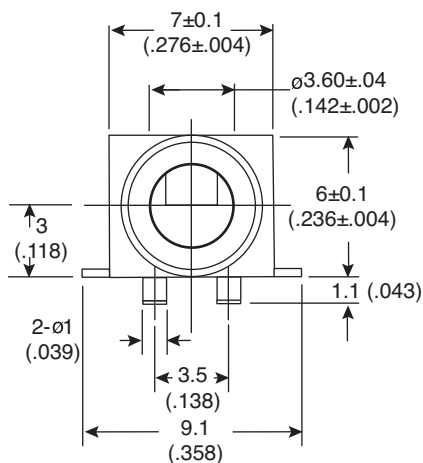
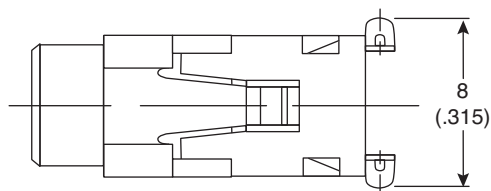
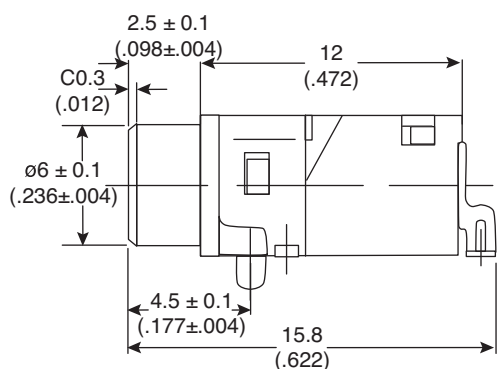
3.5mm Earphone Jack

161-3935-E

KOBICONN

3.5mm Earphone Jack

161-3935-E



Tolerances:
 $X \leq 5 = 0.20 (.008)$
 $X > 5 = 0.30 (.012)$

PCB Hole & Surface Mount Layout

Dimensions: mm (in.)

Specifications	
Body:	PA66/GF Resin
Contacts:	Silver Plated, Phosphor Bronze
RoHS Compliant	

Date Last Revised: 4/23/10

Available from Mouser Electronics
 1-800-346-6873
 www.mouser.com

KC-300869