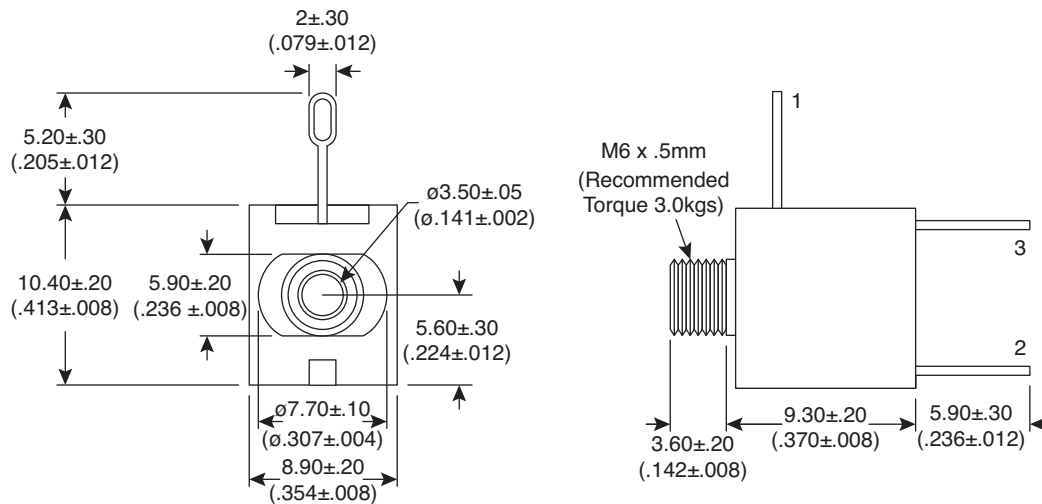
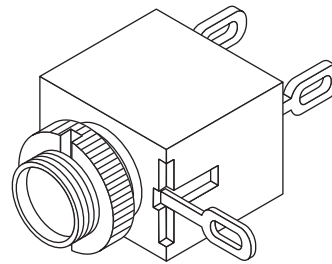
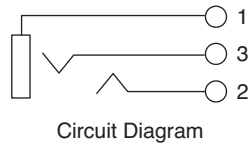


3.5mm Stereo Jack

161-3402-E



3.5mm Stereo Jack



Dimensions: mm (in.)

SPECIFICATIONS	
Type:	3.5mm Stereo, Open Circuit, Chassis Mount
Contact Resistance:	30mΩ max.
Insulation Resistance:	100MΩ @ 500VDC
Soldering Temperature:	210°C max. for 3~5 seconds
Withstand Voltage:	500VAC for 1 Minute
Life Test:	5,000 Cycles
Housing:	Polyoxymethylene
Ring, Tip Terminals:	Silver Plated Phosphor Bronze
Earth Terminal:	Silver Plated Brass
Barrel:	Nickel Plated Brass
Color:	Black
Hardware Included:	Knurled Nut
RoHS Compliant	

Date Last Revised: 3-5-07

Available from Mouser Electronics
1-800-346-6873 / www.mouser.com

KC-301090

161-3402-E

Specifications are subject to change without notice. No liability or warranty implied by this information. Environmental compliance based on producer documentation.