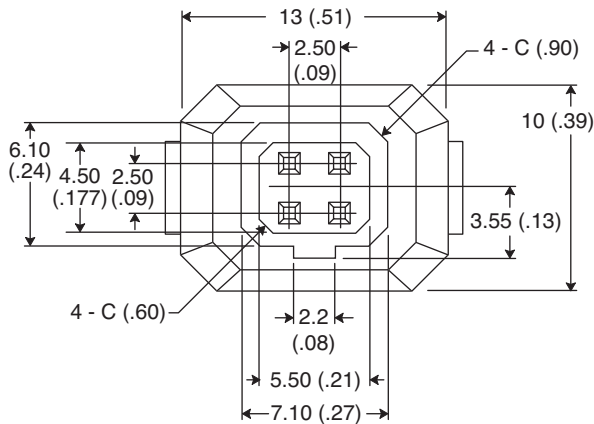


Panel Mount Iris Connector

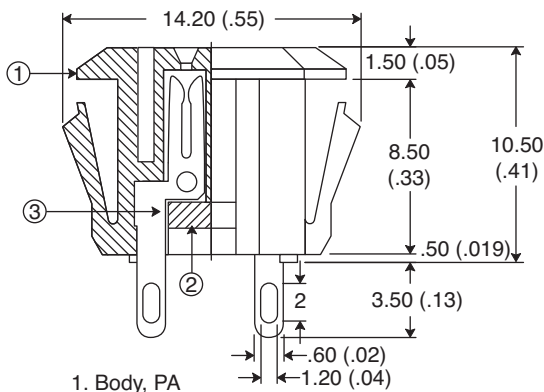
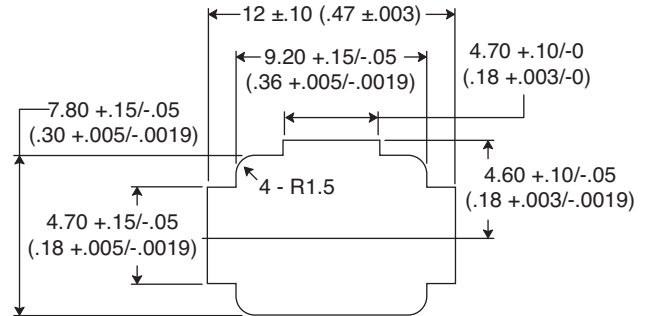
163-156N-1-E



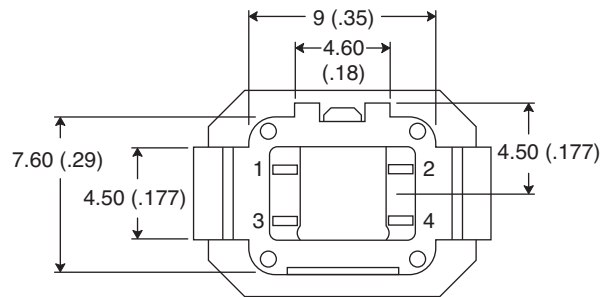
Panel Mount Iris Connector



Mounting Hole Dimensions



- 1. Body, PA
- 2. Base, PF
- 3. Contact. Brass, t0.4



(Recommended Panel Thickness)

t1.6 ±.05 (t.06 ±.0019)

Dimensions: mm (in.)

ELECTRICAL SPECIFICATIONS	
Rating:	0.5A 30VDC
Withstand Voltage:	150VAC for 1 minute
Contact Resistance:	20m Ω Max.
Insulation Resistance:	100 VDC, 100M Ω above
Operation Temperature:	-10°C ~ +70°C
RoHS Compliant	

Date Last Revised: 8/15/08

Available from Mouser Electronics
1-800-346-6873
www.mouser.com

KC- 300935

163-156N-1-E