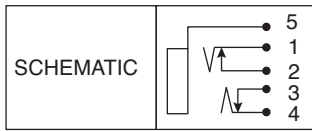


Stereo Phone Jack 3.5mm

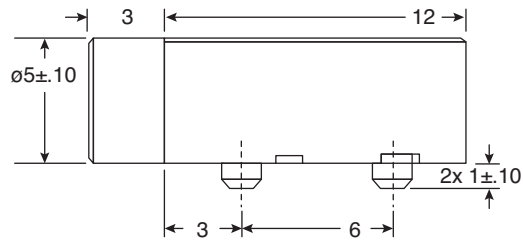
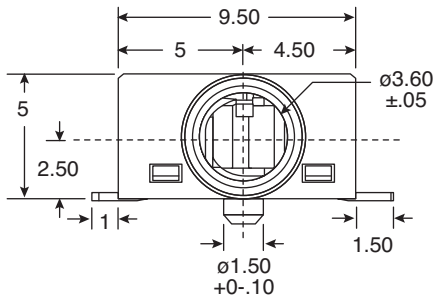
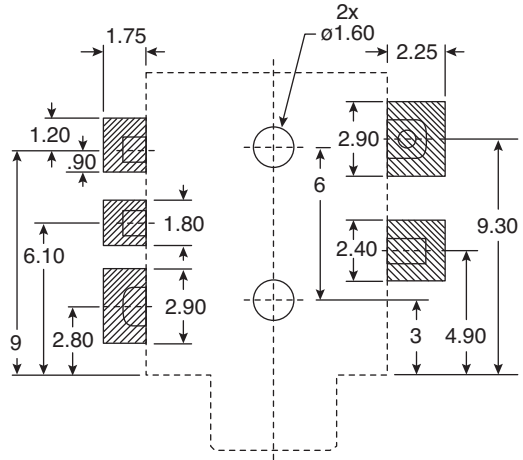
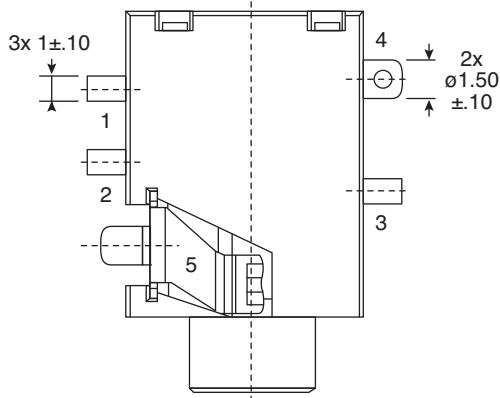


161-2805-E

Stereo Phone Jack 3.5mm



Recommended PCB Layout
(Component Side)
PCB Thickness = 1.00mm



Dimensions: mm

SPECIFICATIONS	
Insertion and extraction force:	0.3 Kgs. to 3.0 Kgs.
Withstand voltage test:	500VAC 50 to 60Hz for 1 min.
Insulation resistance:	100MΩ min 500VDC
Contact resistance:	30mΩ Max
Durability test:	5000 mating cycles
Operating temperature:	-25 to 85°C
Rated voltage:	16 volts DC
Rated current:	0.3 ampere
Plastic housing:	Thermoplastic glass fiber filled, UL94V-O, color black
Contacts:	Copper Alloy, gold flash plated
RoHS Compliant	

Date Last Revised: 06-30-09

Available from Mouser Electronics
1-800-346-6873 / www.mouser.com

KC-301323

161-2805-E

Specifications are subject to change without notice. No liability or warranty implied by this information. Environmental compliance based on producer documentation.