

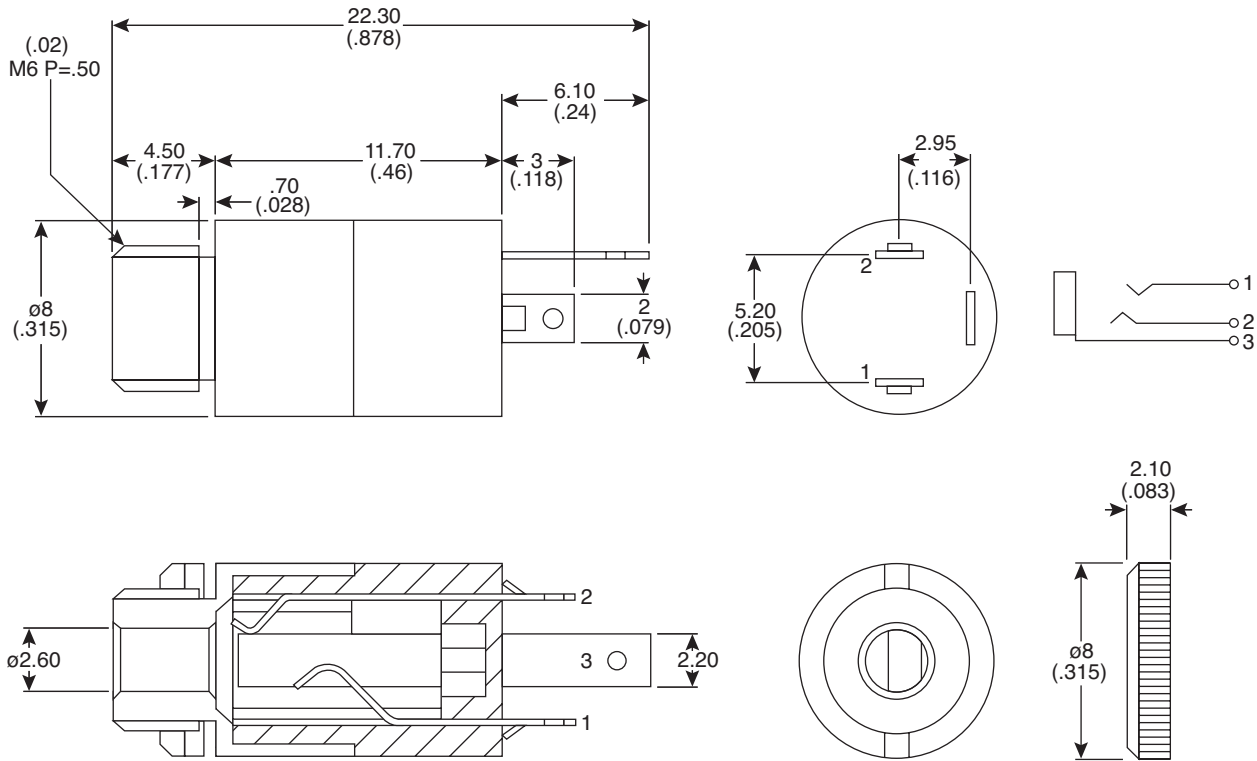
# 2.5 mm Stereo

161-7000-EX



2.5 mm Stereo

161-7000-EX



Dimensions: mm (In.)

SPECIFICATIONS	
<b>Contact Resistance:</b>	30 m $\Omega$ max.
<b>Insulation Resistance:</b>	100 M $\Omega$ min. @500VDC
<b>Dielectric Strength:</b>	500 VAC for one minute
<b>Life Cycle:</b>	5000 cycles min.
<b>Operation Temperature:</b>	-25°C to 80°C
<b>Insertion &amp; Extraction Force:</b>	4N - 20N (0.4 kgf. - 2kgf.)
<b>Contacts:</b>	Nickel plated brass
<b>Body:</b>	PBT - G30%
<b>Mating Plugs:</b>	171-3305, 171-3306, 171-3406
RoHS Compliant by Exemption	

Date Last Revised: 12-27-05

Available from Mouser Electronics  
 1-800-346-6873  
[www.mouser.com](http://www.mouser.com)

KC-300946