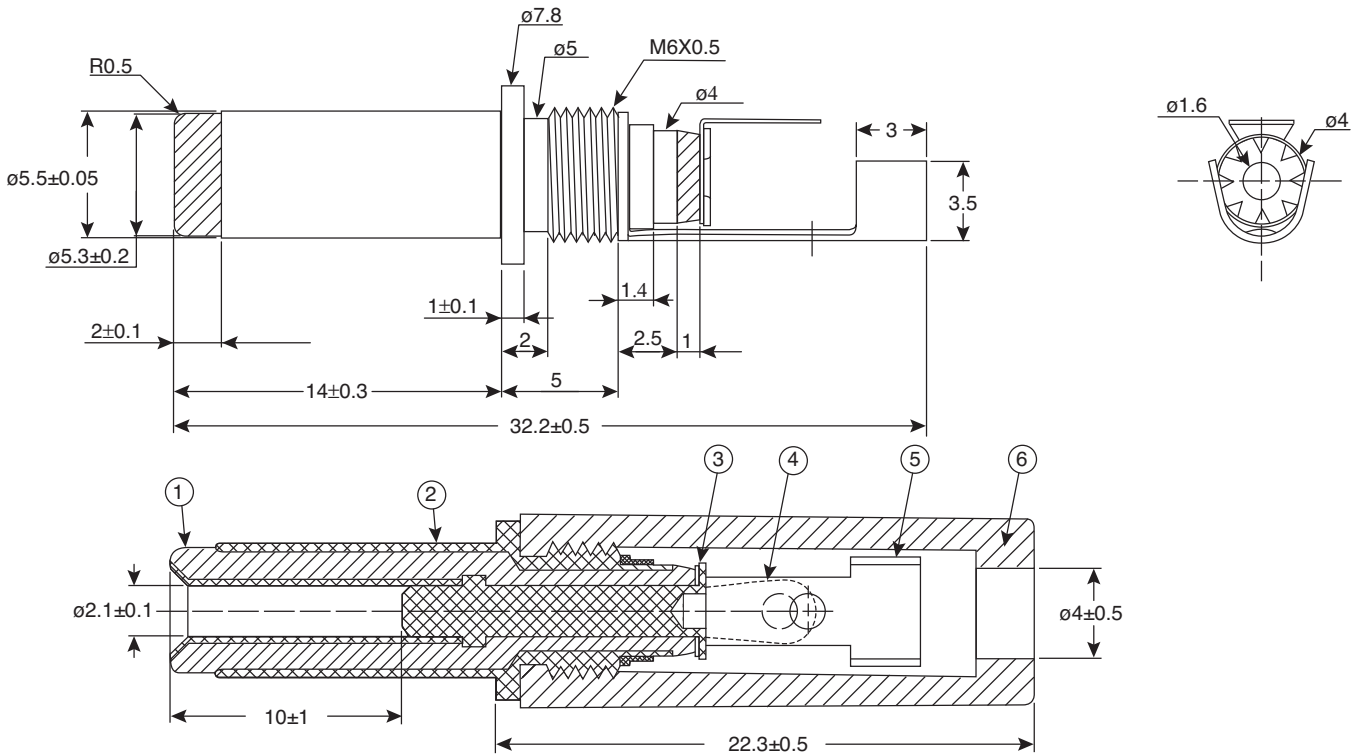


DC Power Plug 2.1mm

171-PA5521A-1GY-E



DC Power Plug 2.1mm



Dimensions: mm

MATERIAL	
1	POM Black
2	Brass Nickel
3	Brass Nickel
4	Brass Nickel
5	Brass Nickel
6	ABS Grey

ELECTRICAL SPECIFICATIONS	
DC Power Rating:	12VDC/5A
Withstand Voltage:	DC 500V/1 minute
Insulation Resistance:	DC 500V/100Mohms
Contact Resistance	60m Ohms

RoHS Compliant

Date Last Revised: 10/22/08

Available from Mouser Electronics
1-800-346-6873
www.mouser.com

KC-301326

171-PA5521A-1GY-E

Specifications are subject to change without notice. No liability or warranty implied by this information. Environmental compliance based on producer documentation.