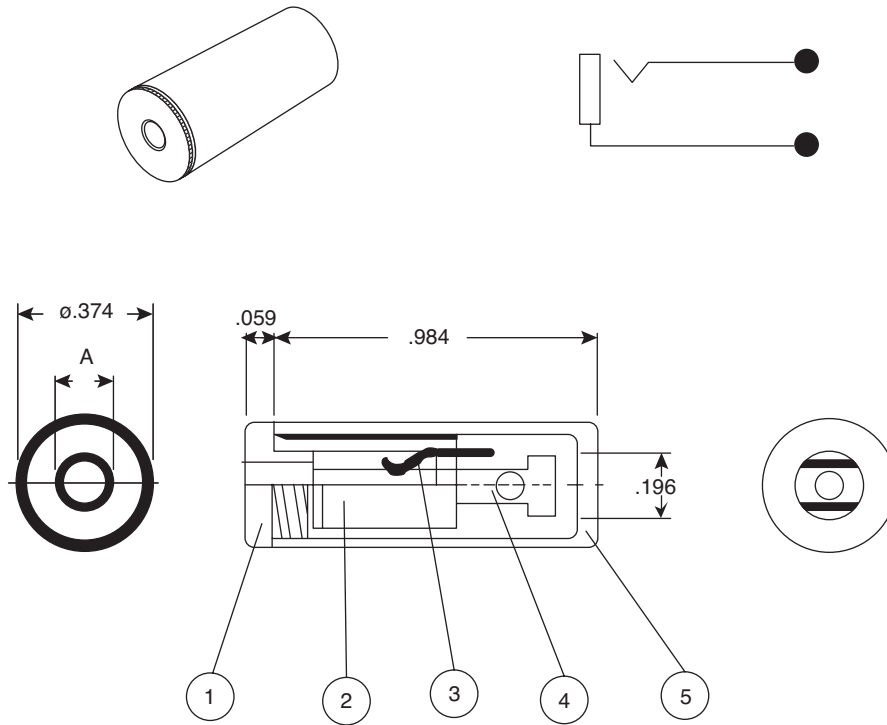


# In-Line Phone Jacks

16PJ105-EX, 16PJ119-EX



In-Line Phone Jacks



Dimensions: In.

SPECIFICATIONS	
Type:	mono, hi-rel, black plastic handle, in-line
Breakdown voltage:	500VAC for 1 minute
Insulation resistance:	100M $\Omega$ min. @ 500VDC
Contact resistance:	50m $\Omega$ max.
Life time:	5,000 cycles
RoHS Compliant by Exemption	

Mouser Stock No.	A	Size
16PJ119-EX	$\phi .141$	3.5mm
16PJ105-EX	$\phi .102$	2.5mm

Number	Part Name	Material	Remarks
1	Contact A	BSBM	Ni
2	Body	PA	
3	Contact B	PBS	Ni
4	Terminal	BSR	Ni
5	Cap	APS	

16PJ105-EX, 16PJ119-EX

Date Last Revised: 12-12-05

**Available from Mouser Electronics**  
**1-800-346-6873**  
**www.mouser.com**

KC-300850

Specifications are subject to change without notice. No liability or warranty implied by this information. Environmental compliance based on producer documentation.