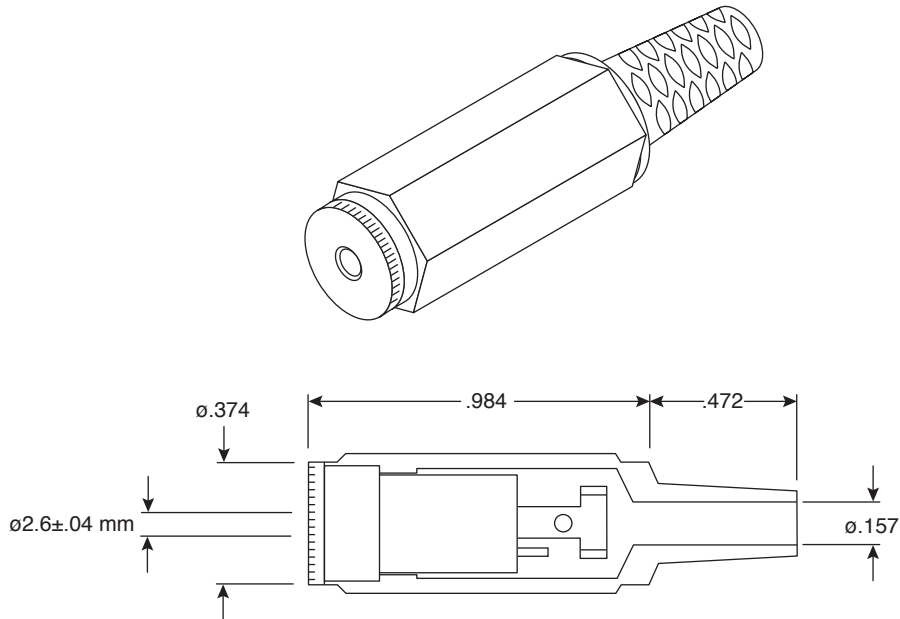


Jack

16PJ227-EX



Jack



Dimensions: In.
(except where noted)

SPECIFICATIONS	
Type:	2.5mm inline mono
Breakdown voltage:	500VAC for 1 minute
Insulation resistance:	100M Ω min. @ 500VDC
Contact resistance:	50m Ω max.
Rated life:	5,000VAC for 1 min.
Contact A:	Nickel plated brass
Contact B:	nickel plated phosphor bronze
Cap:	polyethylene
Body:	Polyamide
Terminal:	Nickel plated brass
RoHS Compliant by Exemption	

Date Last Revised: 12-12-05

Available from Mouser Electronics
1-800-346-6873
www.mouser.com

KC- 300853

16PJ227-EX

Specifications are subject to change without notice. No liability or warranty implied by this information. Environmental compliance based on producer documentation.