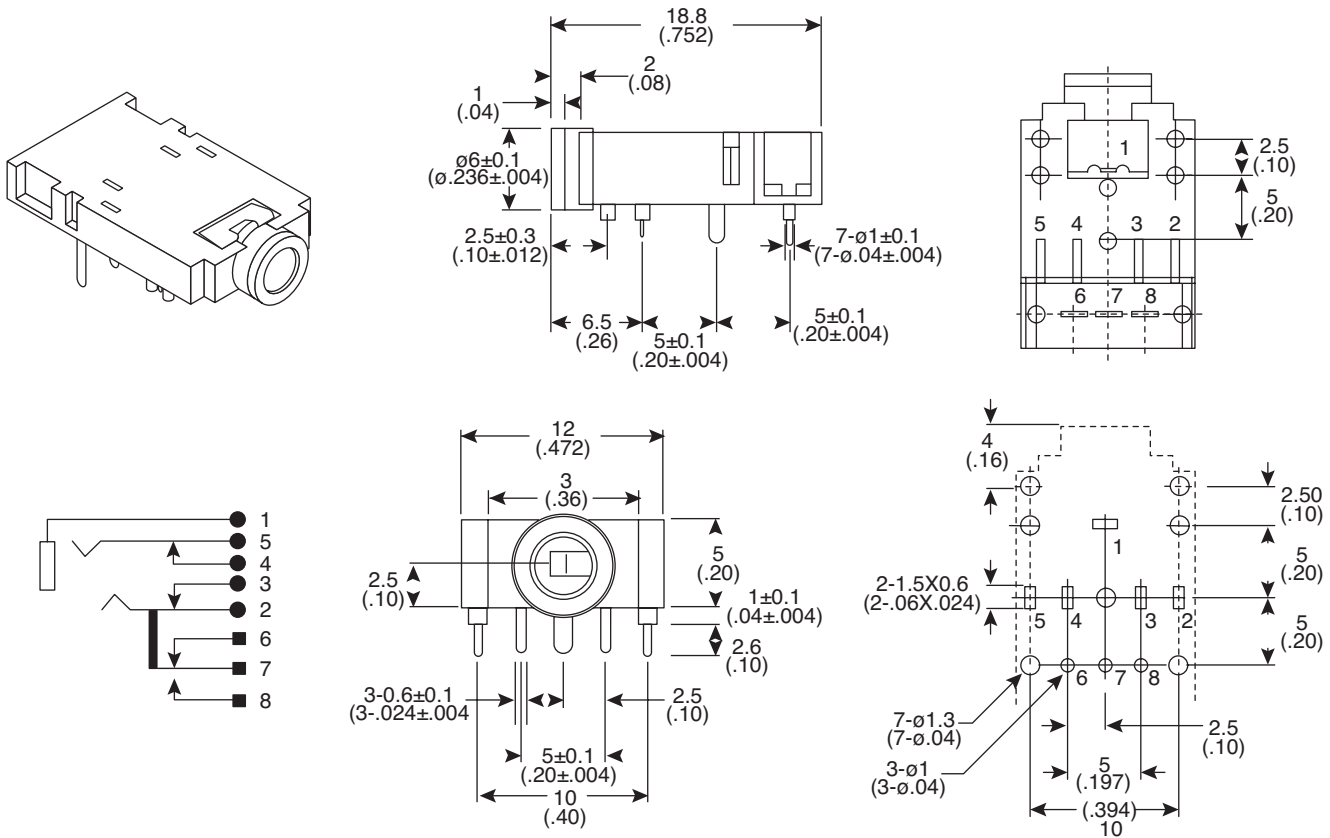


# Jack

161-3503-EX



Jack



### Dimensions: mm (In.)

[Tolerance  $\pm .3$  (.012) except where noted.]

### ELECTRICAL SPECIFICATIONS

<b>Rating:</b>	12VDC 0.5A
<b>Contact Resistance:</b>	30m $\Omega$ Max.
<b>Insulation Resistance:</b>	50M $\Omega$ Min. @ 500VDC
<b>Withstand Voltage:</b>	500VAC for 1 Minute

### MATERIALS

<b>Type:</b>	PC Mount 3.5mm Stereo Phone w/ Switch
<b>Housing:</b>	Polycarbonate Resin
<b>Switch Terminal:</b>	Silver Plated Brass
<b>Fixed Terminals:</b>	Silver Plated Brass
<b>Ground Terminal:</b>	Silver Plated Phosphor Bronze
<b>Tip Springs:</b>	Silver Plated Steel
<b>RoHS Compliant by Exemption</b>	

Date Last Revised: 12-22-05

Available from Mouser Electronics  
1-800-346-6873  
www.mouser.com

KC-300949

161-3503-EX