

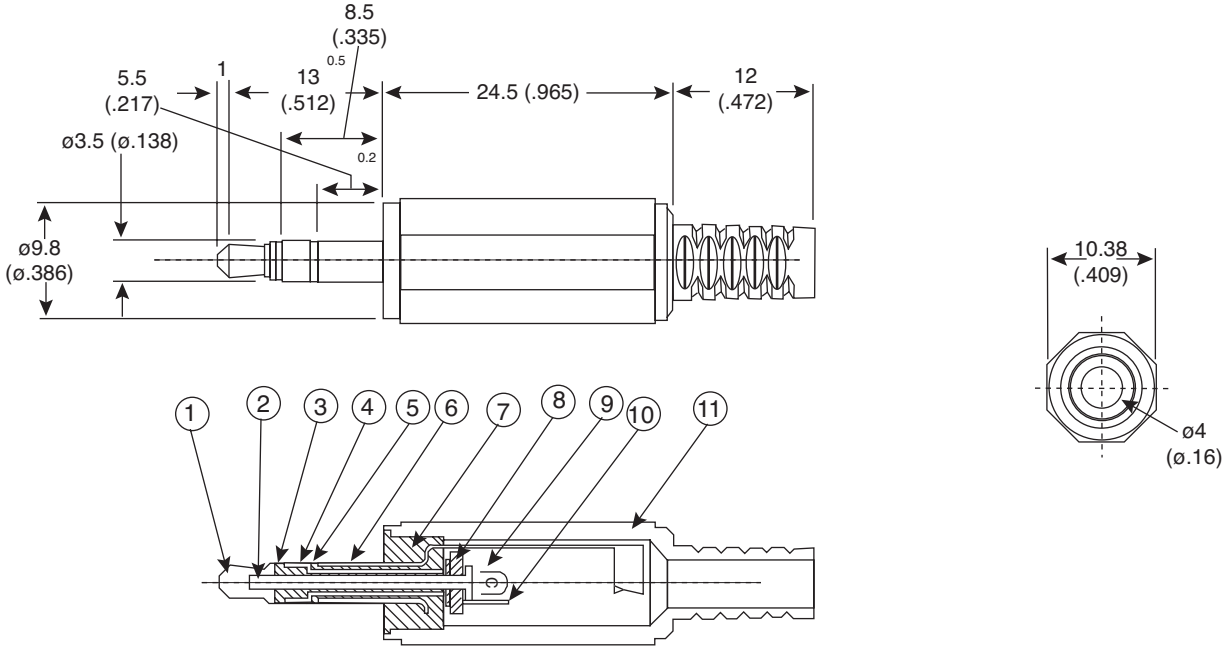
# Stereo Plug

## 17PP004-EX



Stereo Plug

17PP004-EX



**Dimensions: mm (In.)**

PIN CONNECTION	
<b>No:</b>	1 + 10 (TIP) = LEFT
<b>No:</b>	4 + 9 (RING) = RIGHT
<b>No:</b>	6 (SLEEVE) = GROUND

No	PART NAME	MATERIAL	FINISH
1	Tip	Brass	NI-P
2	Pin	Steel	NI-P
3	Insulator A	POM	---
4	Ring	Brass	NI-P
5	Insulator B	Ebonite	---
6	Sleeve	Brass	NI-P
7	Body	ABS	---
8	Insulator C	PC	---
9	Ring Terminal	Brass	NI-P
10	Tip Terminal	Brass	NI-P
11	Cap	PE	---

SPECIFICATIONS	
Plastic threaded stereo phone	
<b>Insulation resistance:</b>	100MΩ min. @ 500VDC
<b>Contact resistance:</b>	50mΩ max.
<b>Withstand voltage:</b>	500VAC for 1 minute
<b>Rating:</b>	15VDC 1A
<b>Contacts &amp; terminals:</b>	nickel plated brass
<b>Body:</b>	ABS resin
<b>Cap:</b>	polyethylene
<b>RoHS compliant by Exemption</b>	

Date Last Revised: 12-6-05

**Available from Mouser Electronics**  
**1-800-346-6873**  
**www.mouser.com**

KC-300879