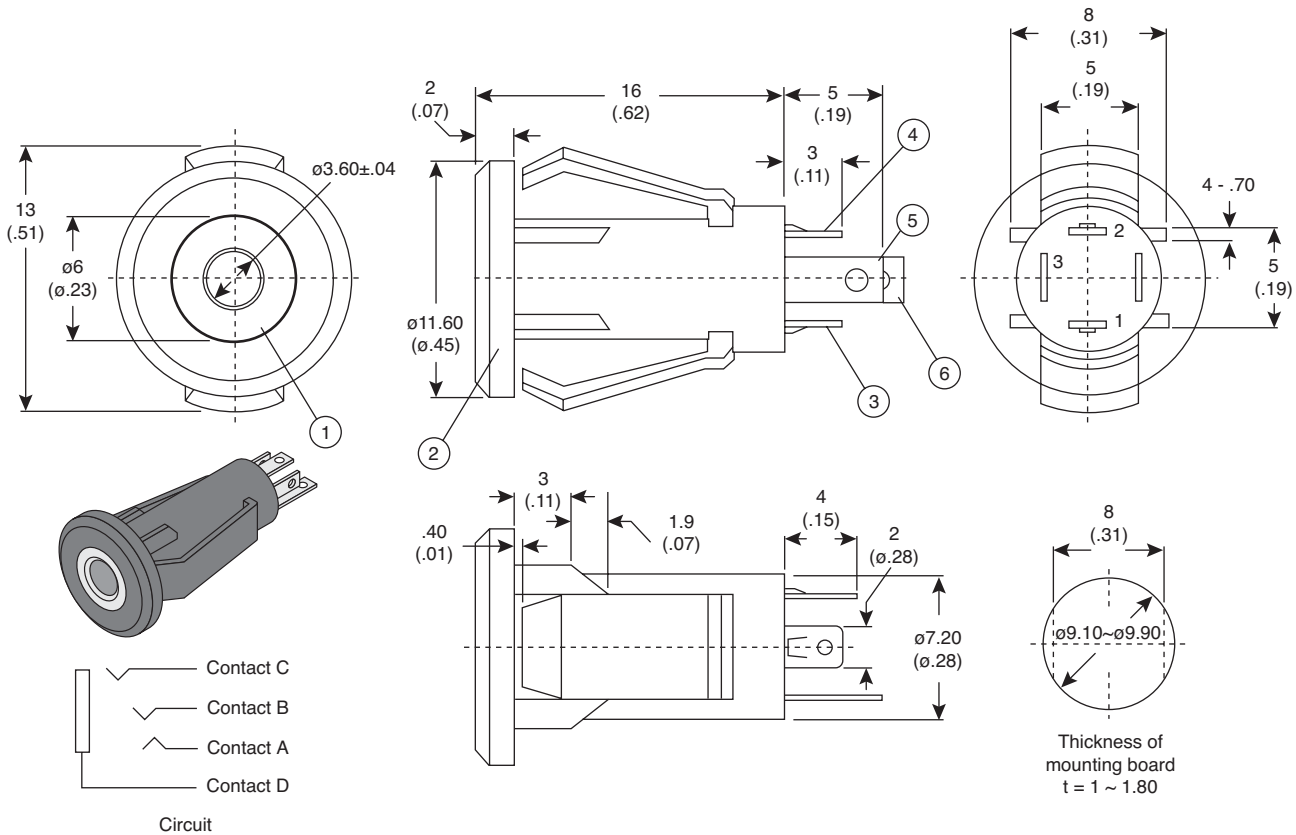


4 Conductor Mini Stereo Jack (3.50 - 4)

161-064SP-EX



4 Conductor Mini Stereo Jack (3.50 - 4)



Dimensions: mm (In.)

SPECIFICATIONS
RoHs Compliant by Exemption

No.	Part Name	Material	Finish
1	Metal	BSBM	Au
2	Body	PA 66	-
3	Contact A	FAB-EH , t = 0.25	Ni
4	Contact B	FAB-EH , t = 0.25	Au
5	Contact C	FAB-EH , t = 0.25	Ni
6	Contact D	BSR, t = 0.3	Ni

Date Last Revised: 12-27-05

Available from Mouser Electronics
1-800-346-6873
www.mouser.com

KC- 300945

161-064SP-EX