

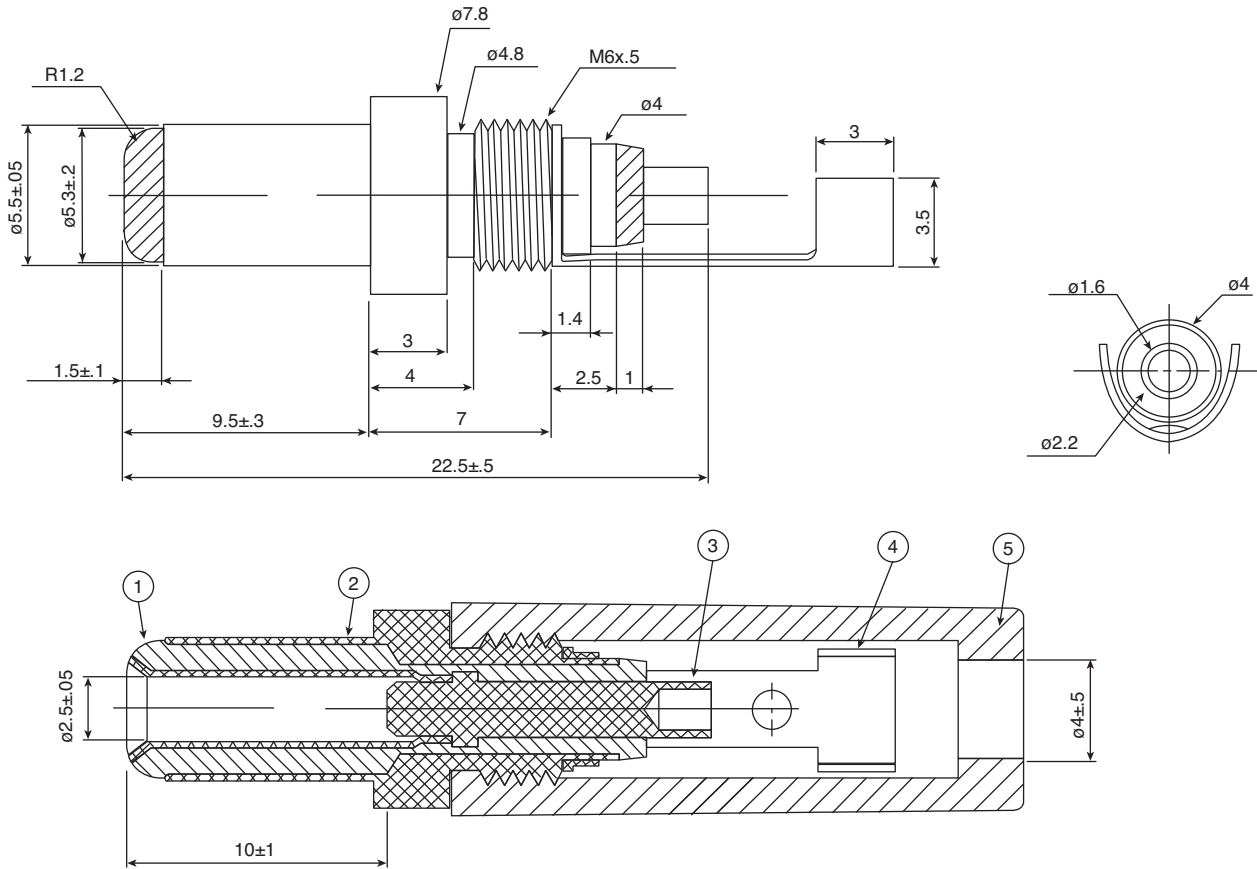
DC Power Plug 2.5mm

171-PA5525-1-E



DC Power Plug 2.5mm

171-PA5525-1-E



Dimensions: mm

MATERIAL SPECIFICATIONS

1:	ABS Black
2:	Brass Nickel
3:	Brass Nickel
4:	Brass Nickel
5:	PVC Black

SPECIFICATIONS

RoHS Compliant

Date Last Revised: 8/19/09

Available from Mouser Electronics
1-800-346-6873 / www.mouser.com

KC- 301368

Specifications are subject to change without notice. No liability or warranty implied by this information. Environmental compliance based on producer documentation.