

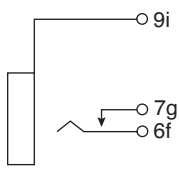
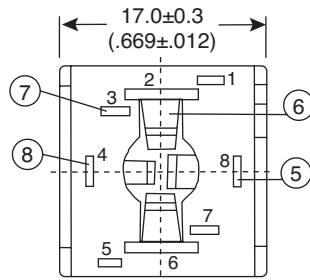
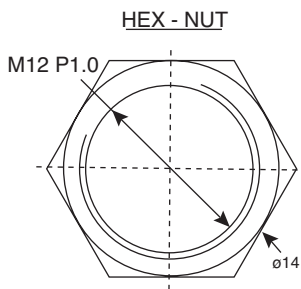
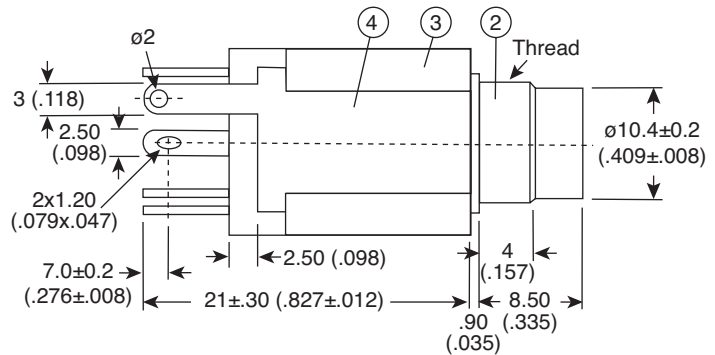
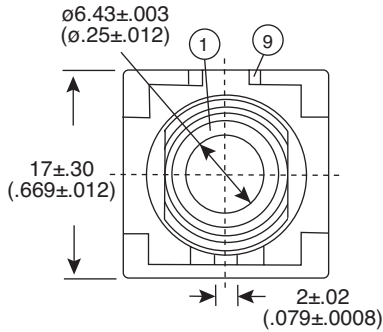
1/4" Headphone Jack

161-0085-E, 161-0086-E, 161-0087-E

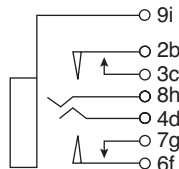


1/4" Headphone Jack

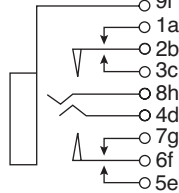
DIMENSIONS: mm (In.)



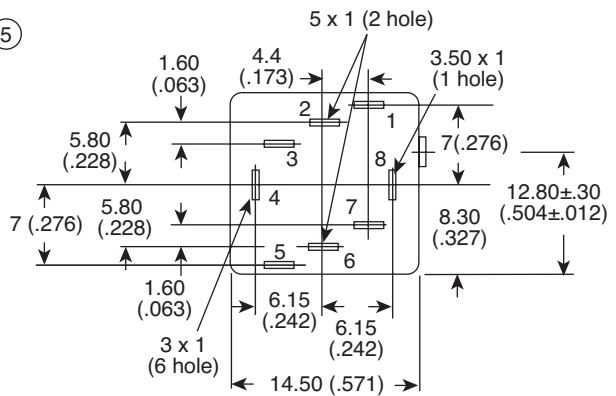
161-0085-E



161-0086-E



161-0087-E



P.C.B. LAYOUT

No.	Name	Qty.	Material
1.	Bushing	1	0.7 mic/inch Brass, NI Plated
2.	Plastic Bushing	1	Duracon, Black
3.	Housing	1	P.B.T, Black
4.	Earth Terminal	1	0.6t Fe
5.	Ring Terminal	1	0.35t Phosphor Bronze
6.	Transfer Terminal	2	0.35t Phospher Bronze
7.	Brake Terminal	2	0.35t Brass
8.	Tip Terminal	1	0.35t Phosphor Bronze
9.	Insulator	1	1.0± Red Paper

Date Last Revised: 8-23-06

SPECIFICATIONS	
Rated Jack:	12VDC 1A
Rated Switch:	6VDC 1A
Temperature Range:	-25°C ~ +70°C
Dielectric Strength:	500VAC for 1 minute
Insulation Resistance:	500VDC ≥ 100MΩ
Contact Resistance:	≤ 50 mΩ
Insertion Force:	0.3kgf~3.0kgf
Withdraw Force:	0.3kgf~3.0kgf
Life Test:	5,000 Cycles
Temperature of Solder:	260 ± 5°C
Dip Time:	5±1 Seconds
Mating/Uncoupling Rating:	15,000 Cycles
RoHS Compliant	

161-0085-E, 161-0086-E, 161-0087-E

Available from Mouser Electronics
1-800-346-6873
www.mouser.com

KC-301052