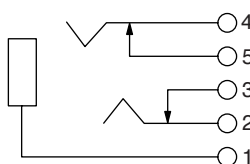
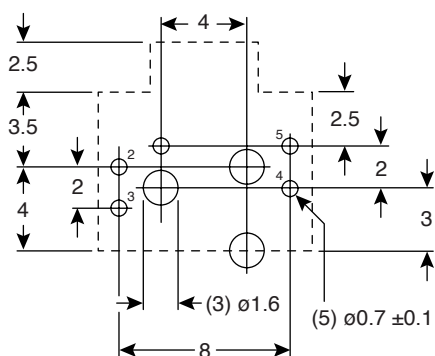
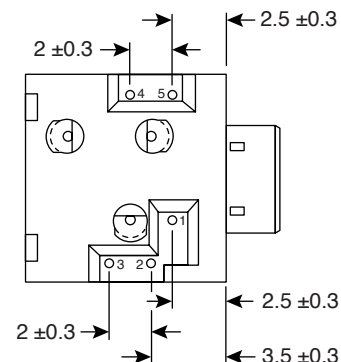
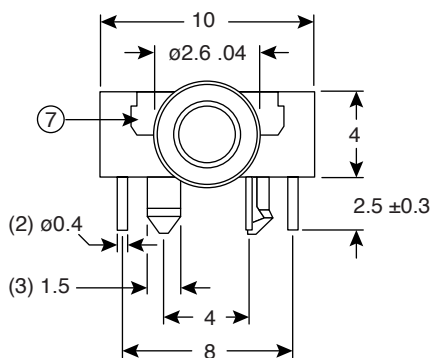
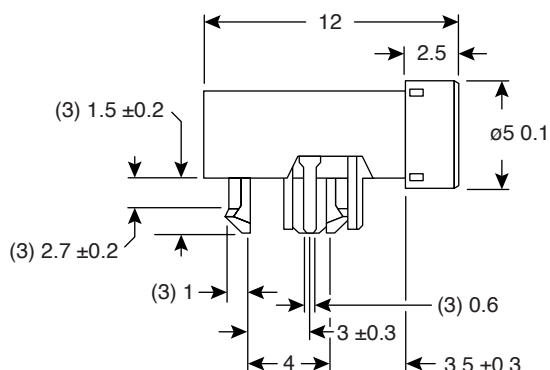


2.5mm Stereo Phone Jack

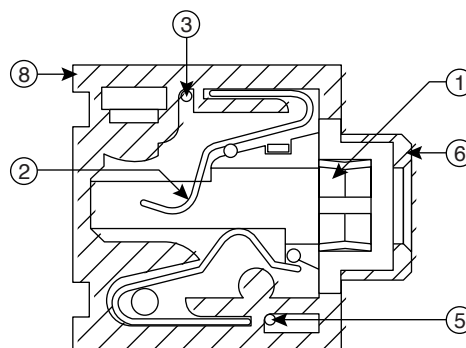
161-2508-EX



2.5mm Stereo Phone Jack



Circuit Diagram



PC Board Hole Layout

(viewed from direction of insertion to PCB)

DIMENSIONS: mm

Tolerances (mm)

$X < 5 = \pm 0.10$

$X > 5 = \pm 0.30$

No.	Part	Material	RMK
1	Earth Terminal	PBs	Ag-Plated
2	Tip Spring B	BeCu	Ag-Plated
3	Fixed Terminal B	Brass Pin	Ag-Plated
4	Tip Spring A	BeCu	Ag-Plated
5	Fixed Terminal A	Brass Pin	Ag-Plated
6	Metal Bushing	Brass	Ni-Plated
7	Cover	ABS Resin	Transparent
8	Body	PA66/13%GF	Black

SPECIFICATIONS

RoHS Compliant by Exemption

Date Last Revised: 12-12-05

Available from Mouser Electronics
1-800-346-6873
www.mouser.com

KC-300867

161-2508-EX