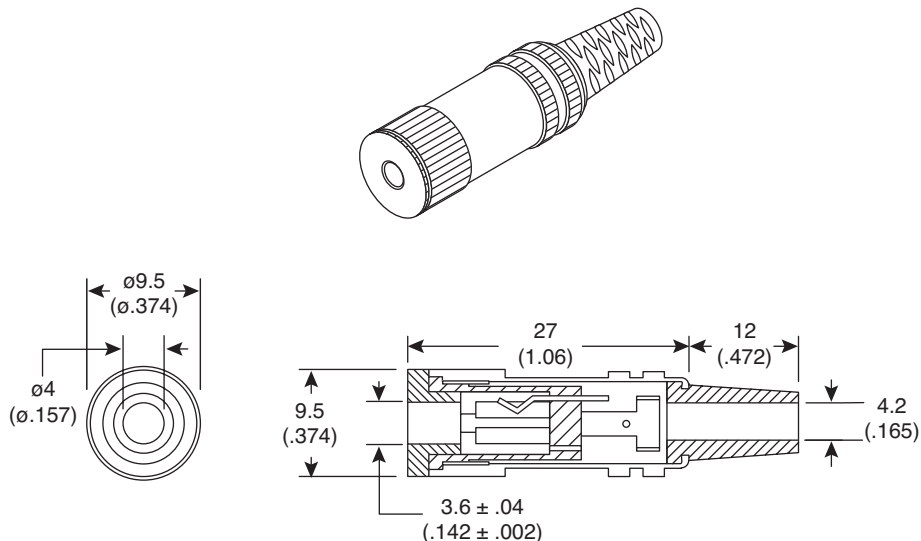


Jack

161-3200-EX



Jack



Dimensions: mm (In.)

SPECIFICATIONS	
Type:	mono, hi-rel, in-line jack
Handle:	shielded with black strain relief
Contact resistance:	50mΩ max.
Insulation resistance:	100MΩ min. @ 500VDC
Dielectric strength:	500VAC for 1 minute
Body & cap:	nickel plated brass
Insulator:	polyphenyleneoxide
Contact:	nickel plated phosphor bronze
Terminal:	nickel plated steel
Protector:	polyvinylchloride
RoHS Compliant by Exemption	

Date Last Revised: 12-12-05

Available from Mouser Electronics
1-800-346-6873
www.mouser.com

KC-300856

161-3200-EX