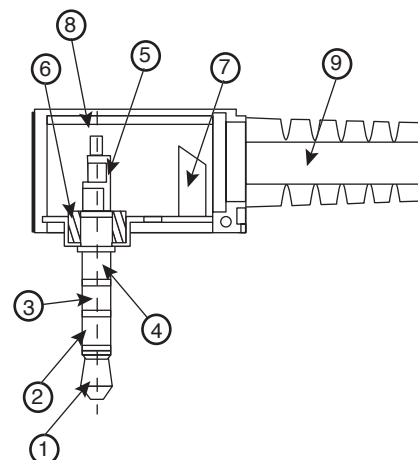
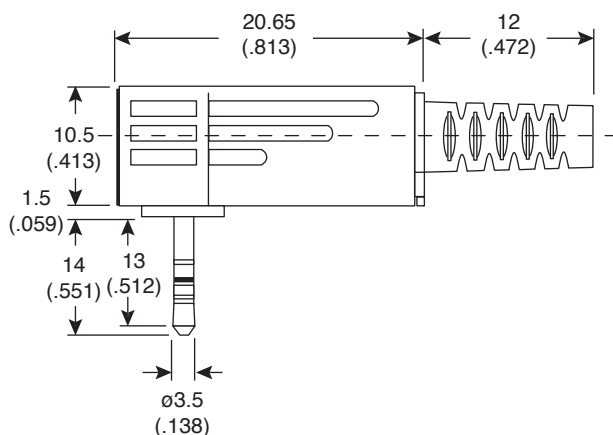
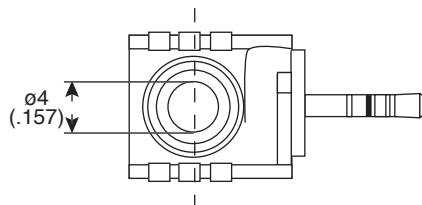
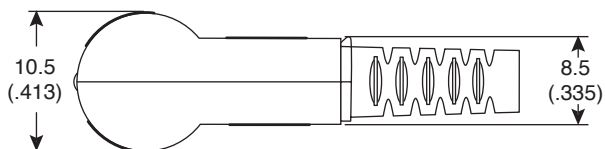


4 Conductor Right Angle Stereo Plug

171-6435-EX



4 Conductor Right Angle Stereo Plug



Dimensions: mm (In.)

No.	Part Name	Material	Finish
1	Contact A	Brass	Ni
2	Contact B	Brass	Ni
3	Contact C	Brass	Ni
4	Contact D	Brass	Ni
5	Insulator A	POM	--
6	Insulator B	POM	--
7	Frame	Brass	Ni
8	Cap	PP	--
9	Cable Protector	PVC	--

SPECIFICATIONS	
Dielectric strength:	500V AC for one minute
Contact resistance:	50mΩ max.
Insulation resistance:	100MΩ min at 500V DC
Tolerance:	±0.5
RoHS Compliant by Exemption	

Date Last Revised: 12-9-05

Available from Mouser Electronics
1-800-346-6873
www.mouser.com

KC-300915

171-6435-EX