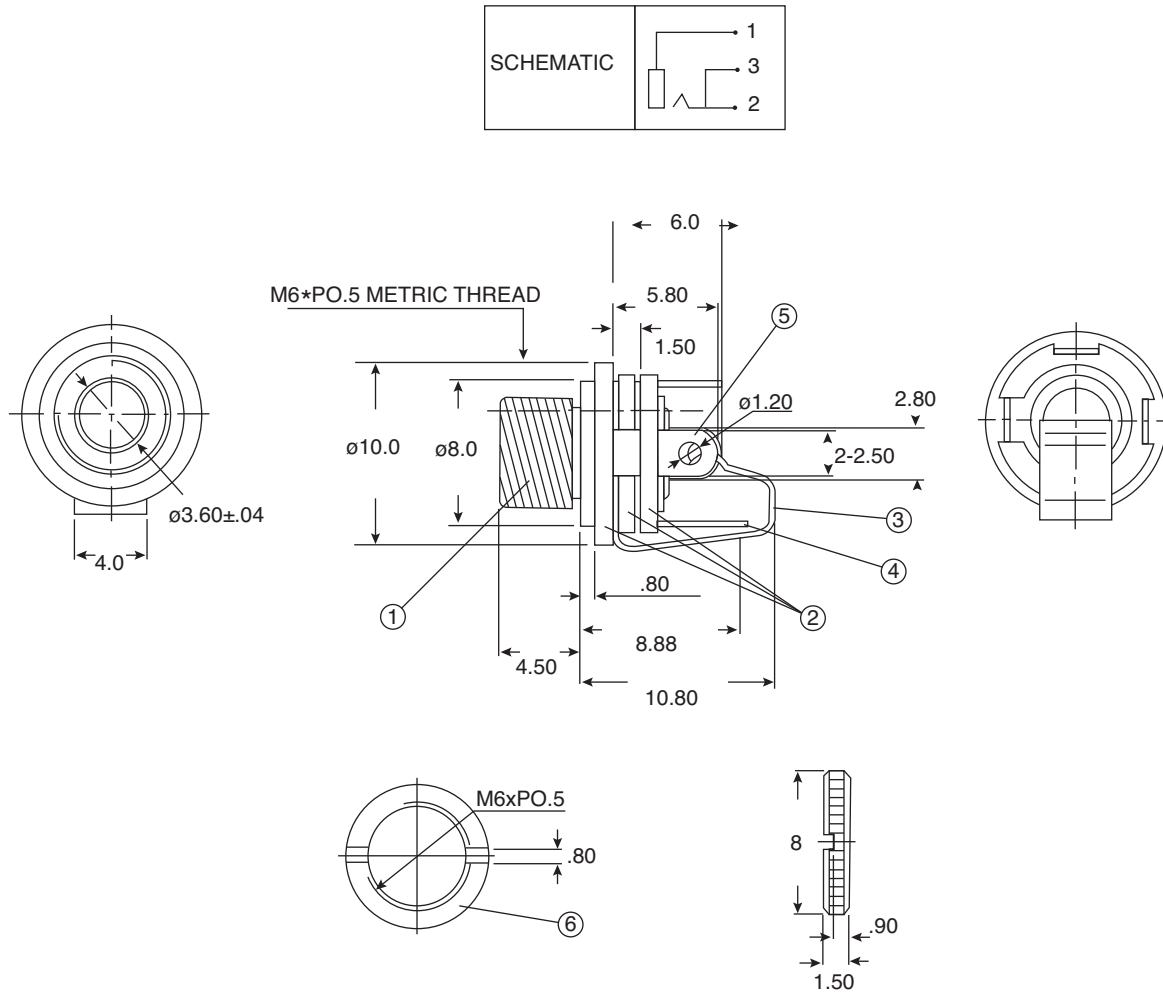


Mono Phone Jack 3.5mm



161-314M-E

Mono Phone Jack 3.5mm



Dimensions: mm.

No.	MECHANICAL SPECIFICATIONS	
6	Nut	1.5T Brass, Nickel Plated, Qty. 1
5	Earth Terminal	0.3T Brass, Silver Plated, Qty. 1
4	Break Terminal	0.3T Brass, Silver Plated, Qty. 1
3	Tip Spring	0.4T Phosphor Bronze, Silver Plated, Qty. 1
2	Insulator	Bakelite, Natural, Qty. 3
1	Barrel (W Thread)	Bronze Strip, Finish, Qty. 1

ELECTRICAL SPECIFICATIONS	
Contact Resistance:	30mΩ max.
Insulation Resistance:	100MΩ @ DC 500V
Dielectric Withstand Voltage:	AC 500V for one min.
RoHS Compliant	

Date Last Revised: 10-01-08

Available from Mouser Electronics
1-800-346-6873 / www.mouser.com

KC-301238

161-314M-E

Specifications are subject to change without notice. No liability or warranty implied by this information. Environmental compliance based on producer documentation.