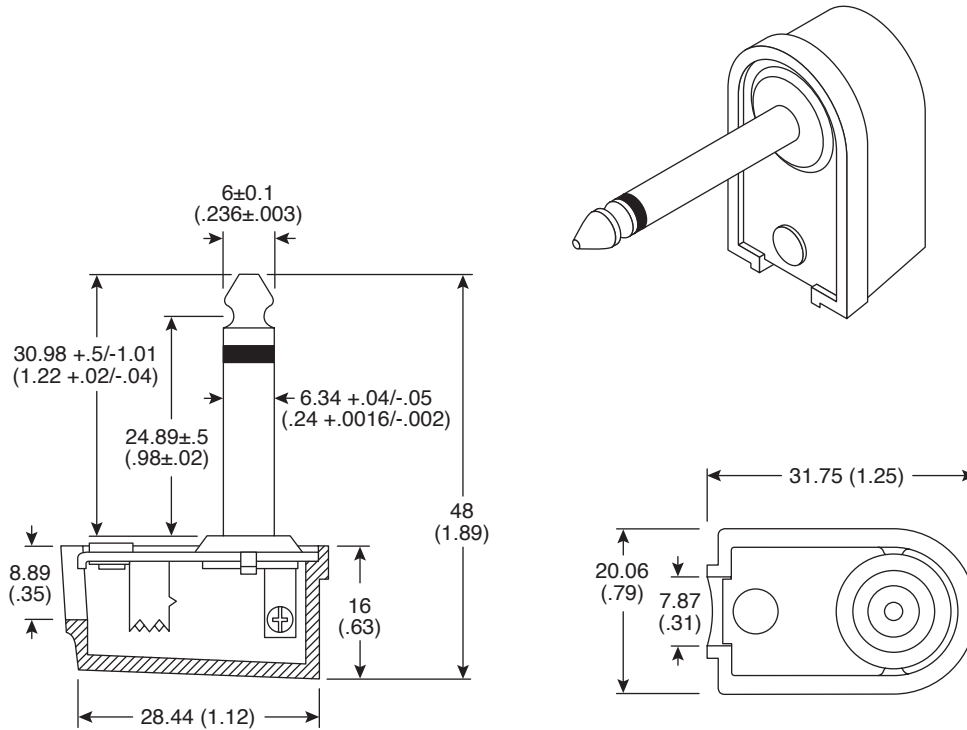


# 1/4" Mono Plug

17PP057-E



1/4" Mono Plug



Dimensions: mm (In)

| SPECIFICATIONS         |                     |
|------------------------|---------------------|
| Type:                  | 1/4" Mono Phone     |
| Contact Resistance:    | 50mΩ max.           |
| Insulation Resistance: | 100MΩ @ 500VDC      |
| Breakdown Voltage:     | 500VAC for 1 Minute |
| Life:                  | 10,000 Cycles min.  |
| Conductors:            | Nickel Plated       |
| Insulator:             | Black Polypropylene |
| RoHS Compliant         |                     |

Date Last Revised: 12-8-05

Available from Mouser Electronics  
 1-800-346-6873  
 www.mouser.com

KC-300902

17PP057-E