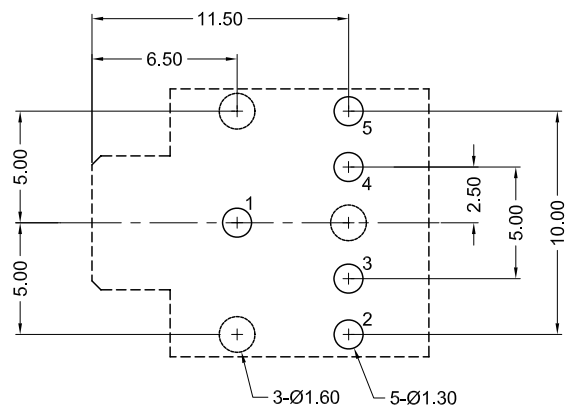
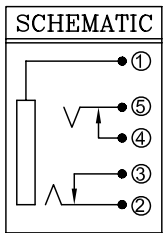
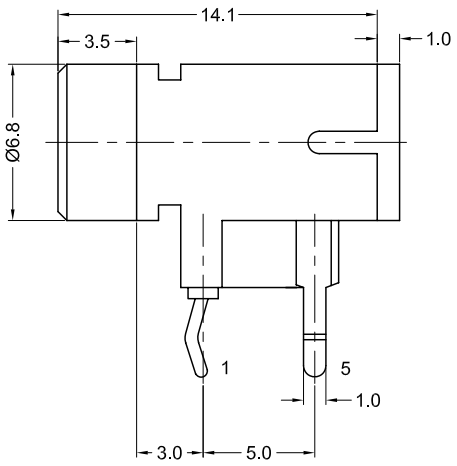
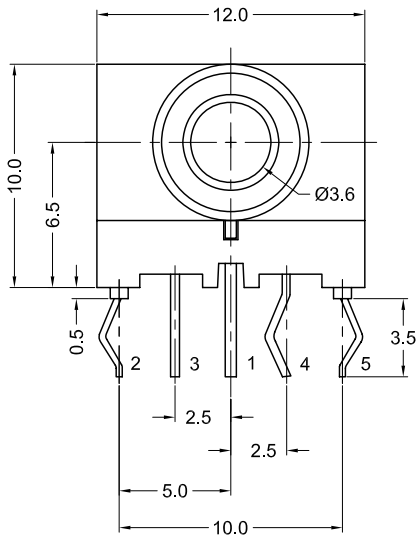


KYCON, Inc. 1810 Little Orchard Street, San Jose, CA 95125 (408)494-0330



Recommended PCB Layout (Bottom View)

**Materials and Finish**

Housing: High Temperature Thermoplastic, 15% Glass Filled Orange (Pantone 577C) Color UL 94V-0 Rated

Terminals:  
Pin 1, 3, 4: Brass, Matte Tin Plated  
Pin 2, 5: Phosphor Bronze Matte Tin Plated

**Electrical Characteristics**

Contact Resistance:  
Before Test: 50 milliohms Max.  
After Durability Test: 100 milliohms Max.

Insulation Resistance:  
More than 100 Megohms at 500V DC

Dielectric Strength:  
500V AC RMS for 1 minute

Operating Temp:  
-25°C to +85°C

**Mechanical Characteristics**

Insertion Force:  
0.4kg - 3.0kg

Extraction Force:  
0.3kg - 3.0kg

Durability: 5000 mating cycles

<b>RoHS COMPLIANT</b> EU Directive 2002/95/EC	 LR78160	Tolerances
		X.X ± 0.3 X.XX ± 0.15 Unless Stated Otherwise

REV.	DATE	DESCRIPTION	REV. BY	CHK. BY	DRAWN BY	DATE
A0	9/22/05	New Drawing	R. Aguirre	H. MA	R. Aguirre	07/14/05
A1	6/2/06	Release Drawing	H. MA	N/A		
B1	08/12/09	ECO# 09-039	S. Vlen	H. MA		
B2	11/11/10	ECO #10-078	S. Vlen	H. MA		

**STX-3120-5B-577C**

Stereo Jack, 5 Position, RoHS Compliant  
Meets PC99 Spec, Light Green Color

