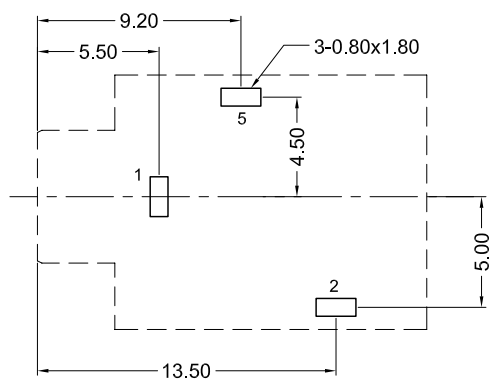
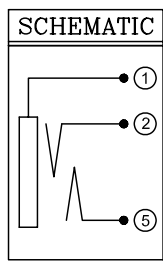
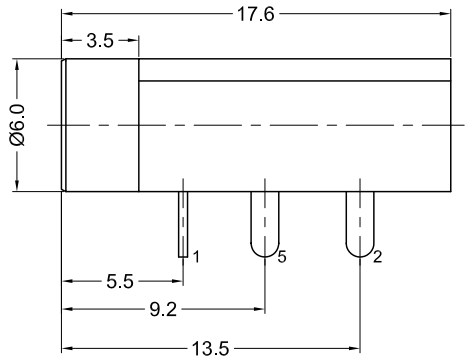
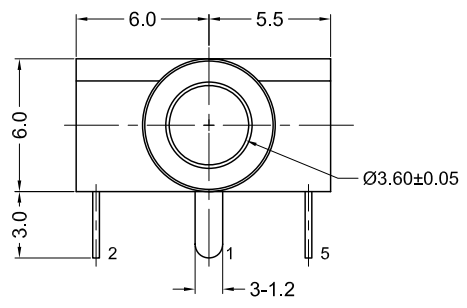


KYCON, Inc. 1810 Little Orchard Street, San Jose, CA 95125 (408)494-0330



Recommended PCB Layout (Bottom View)

**Materials and Finish**

Housing: PBT Thermoplastic  
15% Glass Filled, Black  
UL 94V-0 Rated

Terminals: Brass  
Tin over  
Nickel underplating

**Electrical Characteristics**

Contact Resistance:  
Before Test: 50 milliohms Max.  
After Durability Test:  
100 milliohms Max.

Insulation Resistance:  
More than 100 Megohms  
at 500V DC

Dielectric Strength:  
500V AC RMS for 1 minute

Operating Temp:  
-25°C to +85°C

**Mechanical Characteristics**

Insertion Force:  
0.4kg - 3.0kg

Extraction Force:  
0.3kg - 3.0kg



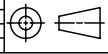
Tolerances
X.X ± 0.3
X.XX ± 0.15
Unless Stated Otherwise

REV.	DATE	DESCRIPTION	REV. BY	CHK. BY	DRAWN BY	DATE
A0	9/22/05	New Drawing	R. Aguirre	H. MA	R. Aguirre	07/11/05
A1	6/2/06	Release Drawing	H. MA	N/A		
B1	08/04/09	ECO #09-045	S. Vien	H. MA		

**STX-3081-3N**

Low Profile Stereo Jack, 3 pos., RoHS Compliant

Metal Bushing, Nonthreaded



UNITS  
mm