

**Materials and Finish**

Housing: PBT Thermoplastic  
30% Glass Filled, Black Color  
UL 94V-0 Rated

**Terminal:**

Pin #1 : SPCC, Nickel Plated

Pin #5 & Pin #2 Contacts:  
Phosphor Bronze, Tin Plated

Bushing: Brass, Nickel plated

**Mechanical Characteristics**

Insertion Force:  
0.4kg - 2.0kg

Extraction Force:  
0.3kg - 2.0kg

Durability: 5000 mating cycles

**Electrical Characteristics**

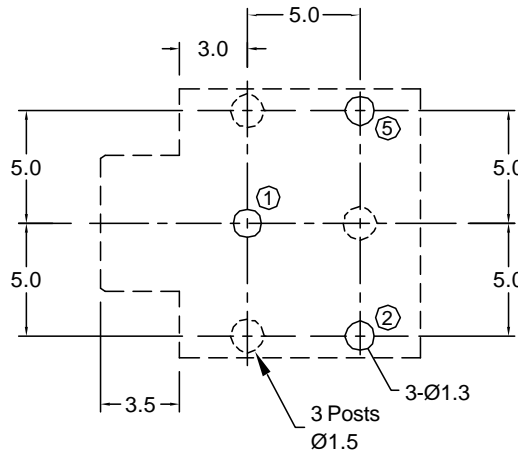
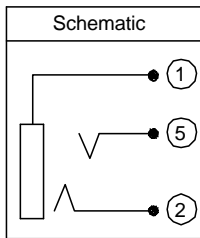
Contact Resistance:  
Before Test: 30mohms Max.  
After Durability Test:  
60 mohms Max.

Insulation Resistance:  
More than 100 Megohms  
at 250V DC

Dielectric Strength:  
250V AC RMS for 1 minute

Operating Temp:  
-25°C to +80°C

⚠ Knurled nut included  
but not installed on parts



Recommended PCB Layout  
(bottom view)

**RoHS COMPLIANT**  
EU Directive 2002/95/EC

Tolerances	
X.X ± 0.25	
X.XX ± 0.15	
Unless Stated Otherwise	



REV.	DATE	DESCRIPTION	REV. BY	CHK. BY	DRAWN BY	DATE
A1	9/6/05	New Drawing	R. Aguirre	H. MA	R. Aguirre	07/11/05
A2	11/8/06	ECO 06-046	R. Aguirre	H. MA		

**STX-3100-3C**

Thru-Hole 3.5mm Stereo Jack, RoHS Compliant  
3 pos., No Switch, Threaded Barrel

