

STX-25406 Series Surface Mount 2.5mm Audio Jack

Features



- Offered in a 4-Pole Version
- Used in devices such as audio equipment, cell phones, or digital still camera
- Complies with EIA Standards
- CSA/NRTL Certified File No. LR78160

Performance Specifications

Materials and Finish

Housing

High Temperature Thermoplastic, UL 94V-0 Rated

Terminals

Copper Alloy, Silver Plated

Electrical Characteristics

Contact Resistance

Before Durability Test

50 milliohms Max.

After Durability Test

100 milliohms Max.

Rated Voltage

16V DC

Rated Current

0.3 A

Insulation Resistance

100 Megohms Min. at 500V DC

Dielectric Strength

500V AC RMS for 1 Minute

Operating Temperature

-25°C to +85°C

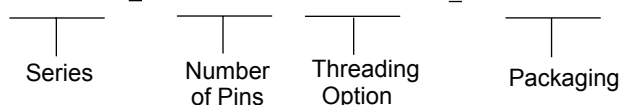
AUDIO JACKS

STX-25406 Series

Documentation & Ordering Information

Kycon Part

Part Number Builder



Series

STX-25406

Number of Pins

4 Pin

5 Pin

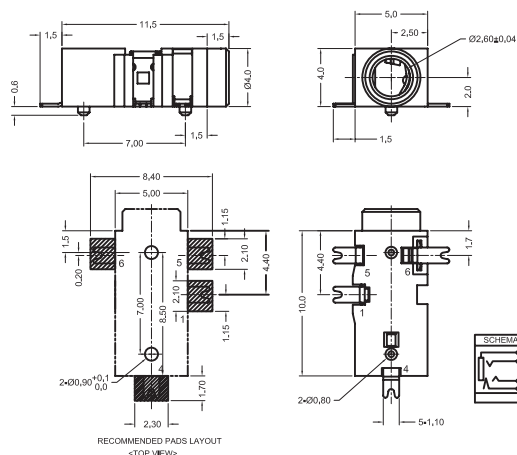
Threading Option

N - Non-Threaded

Packaging

TR - Tape and Reel

STX-25406-4N Dimensions Dimensions in mm



STX-25406-5N Dimensions Dimensions in mm

