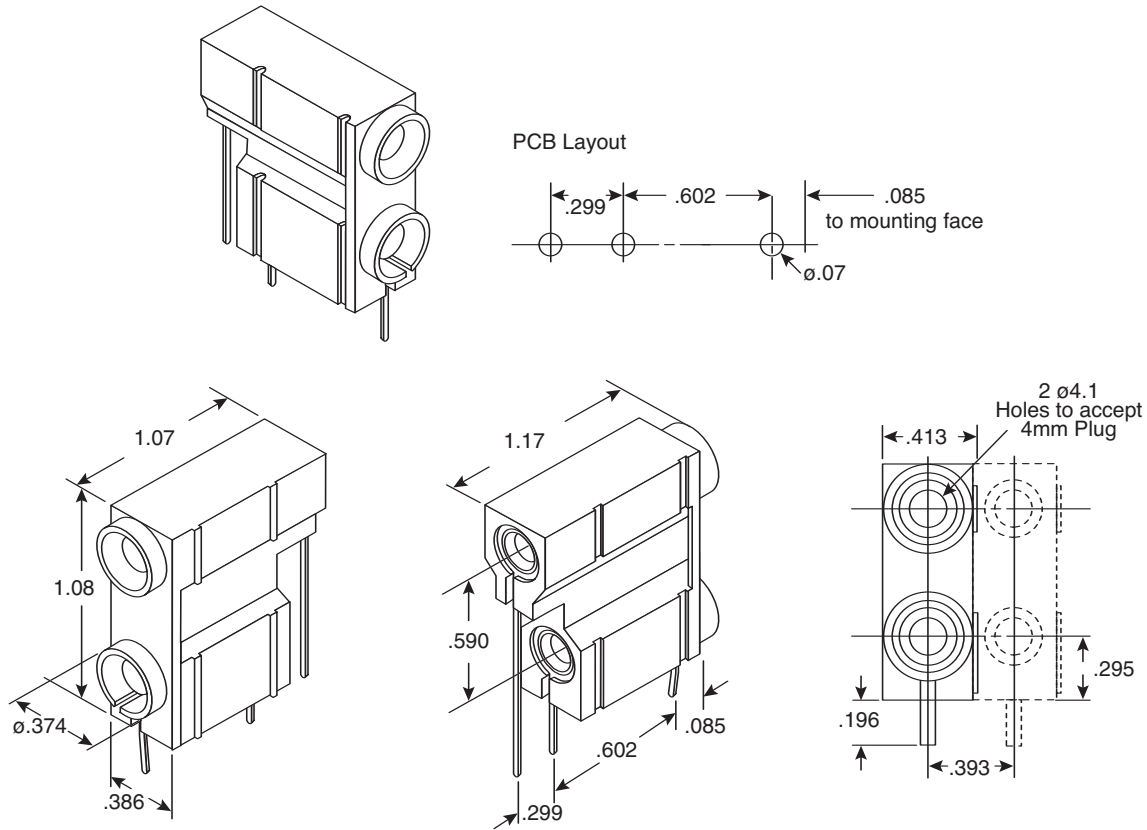


4mm Banana Sockets

164-6220, 164-6221



4mm Banana Sockets



DIMENSIONS IN.

SPECIFICATIONS	
Type:	PCB insulated banana
Current Rating:	10A
Housing:	acetal
Bushes, Pins:	silver plated brass
Isolated	
Color:	black (164-6220), red (164-6221)

Date Last Revised: 4-19-05

Available from Mouser Electronics
1-800-346-6873
www.mouser.com

KC-300579

164-6220, 164-6221