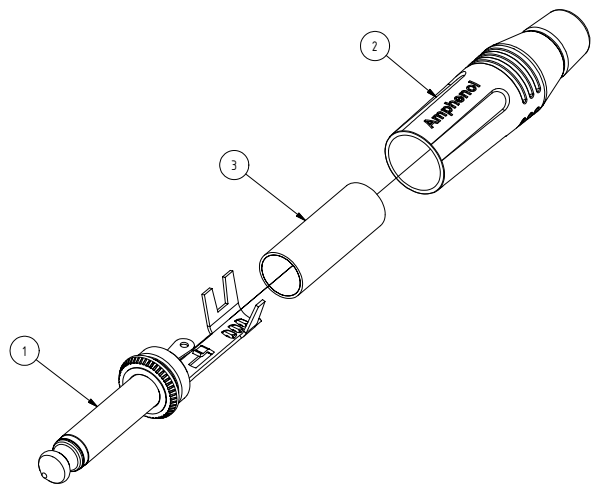


ISO VIEW



Parts List				
ITEM	PART NUMBER	DWG No	DESCRIPTION	QTY
1	50310007-+30	50310007-130-1	INSERT ASSEMBLY	1
2	53490001-+31	53490001-331-1	BACKSHELL ASSEMBLY	1
3	51270016-521	51270013-521-1	PVC INSULATION TUBE	1

Part Numbers According to Shell and Contact Finish			
CATALOGUE P/No	REFERENCE P/No	SHELL FINISH	CONTACT FINISH
ACPM-GN	55010218-000	NICKEL	NICKEL SLEEVE AND TIP
ACPM-GN-AU	55010218-001	NICKEL	GOLD SLEEVE AND TIP
ACPM-GB	55010218-002	BLACK	NICKEL SLEEVE AND TIP
ACPM-GB-AU	55010218-003	BLACK	GOLD SLEEVE AND TIP

UNLESS OTHERWISE SPECIFIED DIMENSIONS IN mm		THIS DOCUMENT IS THE PROPERTY OF AMPHENOL AUSTRALIA PTY LTD. NO PART THEREOF MAY BE REPRODUCED AND USED WITHOUT THE PRIOR WRITTEN CONSENT OF THE OWNER		1	UPDATE TO REVISED COMPONENTS	L.V	1/13/2004	8241
LINE NO	AMPHENOL	CAD FILE	55010218000111	ISSD	T.M	DATE	7/12/2002	---
REV		MATERIAL	REFER TO COMPONENTS	DRD	M.A.N.H	DATE	04-05-04	
0		FINISH	SEE TABLE	APPD	P.M	DATE	04-05-04	
DO NOT SCALE		SCALE	2:1 UOS	PART No		SEE TABLE	size	A3
DIMENSIONS IN MILLIMETRES		SCALE	2:1 UOS	PART No		SEE TABLE	size	A3
		TITLE		1/4" PHONE PLUG MONO ASSY		DRAWING NO		55010218-000-1
		DATE		7/12/2002		SHEET		1/1
		DATE		04-05-04		BY		
		DATE		04-05-04		DATE		
		DATE		04-05-04		DATE		
		DATE		04-05-04		DATE		

