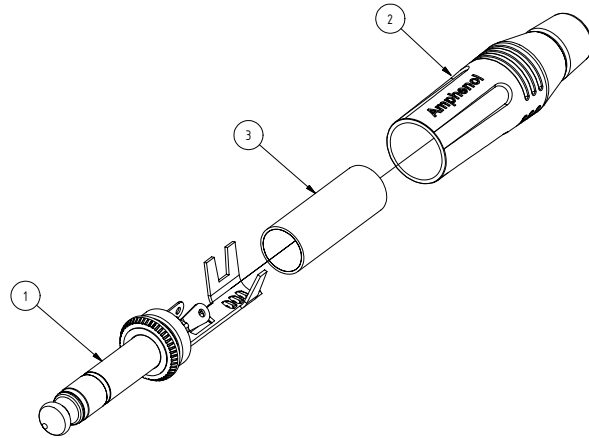


ISO VIEW



| Parts List |              |                |                     |     |
|------------|--------------|----------------|---------------------|-----|
| ITEM       | PART NUMBER  | DWG No         | DESCRIPTION         | QTY |
| 1          | 50310006-*30 | 50310006-130-1 | INSERT ASSEMBLY     | 1   |
| 2          | 53490001-*31 | 53490001-331-1 | BACKSHELL ASSEMBLY  | 1   |
| 3          | 51270016-521 | 51270013-521-1 | PVC INSULATION TUBE | 1   |

| Part Numbers According to Shell and Contact Finish |                 |              |                             |
|--|-----------------|--------------|-----------------------------|
| CATALOGUE P/No                                     | REFERENCE P/No. | SHELL FINISH | CONTACT FINISH              |
| ACPS-GN  | 55010217-000    | NICKEL       | NICKEL RING, SLEEVE AND TIP |
| ACPS-GN-AU   | 55010217-001    | NICKEL       | GOLD RING, SLEEVE AND TIP   |
| ACPS-GB  | 55010217-002    | BLACK        | NICKEL RING, SLEEVE AND TIP |
| ACPS-GB-AU   | 55010217-003    | BLACK        | GOLD RING, SLEEVE AND TIP   |

|   |                   |  |                                    |           |                             |         |           |      |
|---|-------------------|--|------------------------------------|-----------|-----------------------------|---------|-----------|------|
| UNLESS OTHERWISE SPECIFIED DIMENSIONS IN MM |                   | THIS DOCUMENT IS THE PROPERTY OF AMPHENOL AUSTRALIA PTY LTD. NO PART THEREOF MAY BE REPRODUCED AND USED WITHOUT THE PRIOR WRITTEN CONSENT OF THE OWNER |                                    | 1         | UPDATE TO REVISED COMPONENT | L.V     | 1/13/2004 | 8241 |
| 1   | FIRST ISSUE       | 0  | CHANGE DETAILS                     | BY        | DATE                        | CHK/REV |           |      |
| CAD FILE: 55010217000111                    | ISS: TM           | DATE: 24/11/2002   | TITLE: 1/4" PHONE PLUG STEREO ASSY |           |                             |         |           |      |
| MATL: REFER TO COMPONENTS                   | CRD: M.N.H        | DATE: 04-05-04   | DRAWING NO: 55010217-000-1         |           |                             |         |           |      |
| DO NOT SCALE                                | FINISH: SEE TABLE | APPD: P.M  | DATE: 04-05-04                     | SHEET 1/1 |                             |         |           |      |
| DIMENSIONS IN MILLIMETRES                   | SCALE: 2:1 UOS    | PART No: SEE TABLE   | size: A3                           |           |                             |         |           |      |