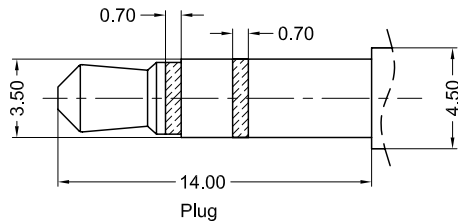
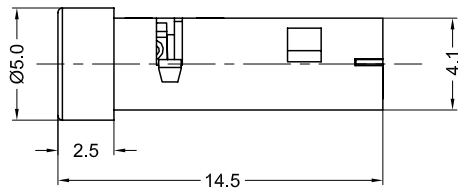
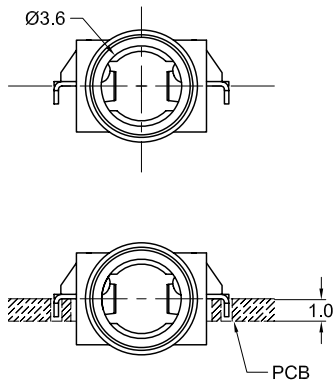


Recommended PCB Layout (Top View)

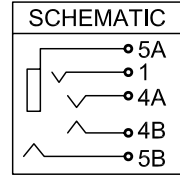
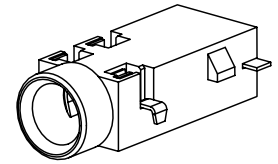


**Material and Finish**

Housing: High Temp Plastic  
 Terminals: Copper Alloy, Gold Plated

**Electrical Specifications**

Contact Resistance:  
 Before Test: 50 milliohms max.  
 After Durability Test: 100 milliohms max.  
 Insulation Resistance: 100 megohms min. at 500V DC  
 Dielectric Strength: 500V AC RMS for 1 minute  
 Operating Temperature: -25°C to +85°C



**PRELIMINARY**  
 PART IN DESIGN  
 SPECIFICATION SUBJECT TO CHANGE

**RoHS COMPLIANT**  
 EU Directive 2002/95/EC

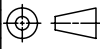


Tolerances	
X.X ± 0.3	
X.XX ± 0.2	
Unless Stated	Otherwise

REV.	DATE	DESCRIPTION	REV. BY	CHK. BY	DRAWN BY	DATE
A0	06/19/09	New Drawing	S. Vien	H. MA	S. Vien	06/15/09
A1	09/14/09	ECO #09-070	S. Vien	H. MA		
A2	7/30/10	Release Drawing	H. MA	N/A		

**STX-35398A-5N-TR**

Audio Jack, 3.5mm, Mid-Mount, RoHS Compliant  
 3 Poles With 1 open Switch



UNITS  
mm