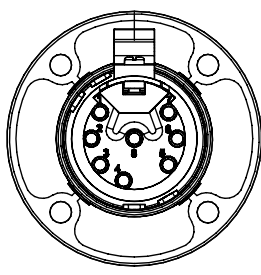
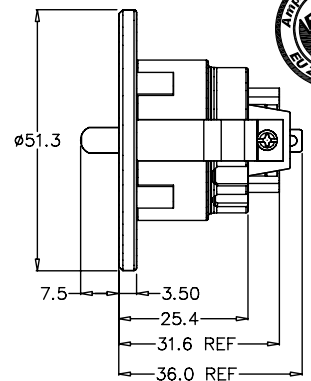
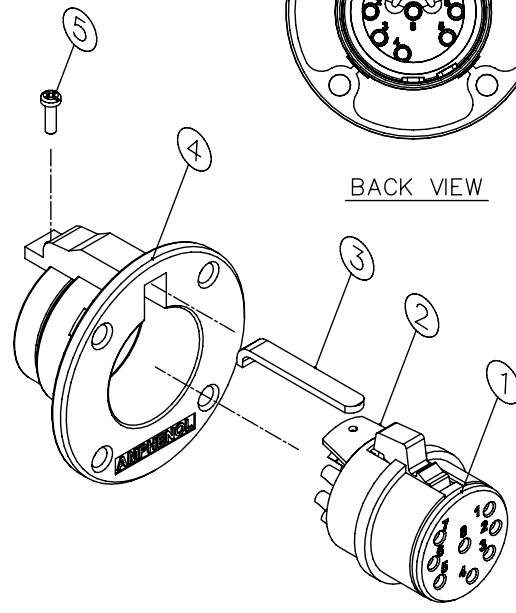


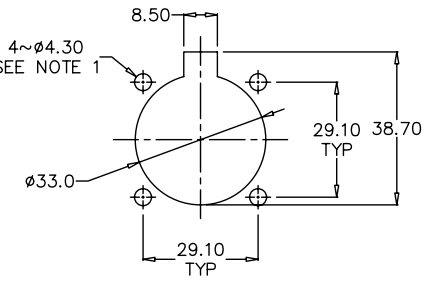
ISO VIEW



BACK VIEW



TOP VIEW



PANEL CUT OUT



EP-*-13P TYPE	EP/AP INSERT P/N
EP - 3 - 13P	156-4401-003
EP - 4 - 13P	156-4401-004
EP - 5 - 13P	156-4401-005
EP - 6 - 13P	156-4401-006
EP - 8 - 13P	156-4401-008

NOTE: 1. THE DIAMETER OF THE 4 MOUNTING HOLES ON THE PANEL CUT OUT DEPENDS ON THE SIZE OF THE SCREW TO BE USED
2. FOR EXAMPLE: FOR AN EP-8-13P USE ASSY No. 128201-0008

4	OMIT PART NUMBER EP - 2 - 13P PRODUCT OBSOLETE	M.N.H	19-11-08	8784
3	UPDATE TO AMPHENOL TITLE BLOCK & LOGO REDRAW, ADD BOM & PANEL CUT OUT DETAILS	M.N.H.	12-04-01	7782
0	FIRST ISSUE	S.M.D	07-02-90	----
REV.	CHANGE DETAILS	BY	DATE	CHG/No

ITEM	PART No.	DWG No.	DESCRIPTION	QTY
5	990-4400-000	990-4400-000	2-32 PAN HEAD SCREW, LONG	1
4	248-4100-0**	248-4100-0**	DIE CAST SHELL	1
3	208-4001-000	208-4001-000	EP/AP LATCH LEVER	1
2	011-4400-000	011-4400-000	EP/AP BARREL	1
1	SEE TABLE	SEE TABLE	EP SOCKET INSULATOR ASSY	1

UNLESS OTHERWISE SPECIFIED TOLERANCE TO BE:
 LINEAR: X ± 1.00, XX ± 0.50, XXX ± 0.20
 ANGULAR: X' ± 1°, XX' ± 30', XXX' ± 15'
 BREAK ALL SHARP EDGES AND REMOVE ALL BURRS
 DO NOT SCALE
 DIMENSIONS IN MILLIMETRES

THIS DOCUMENT IS THE PROPERTY OF AMPHENOL AUSTRALIA PTY. LTD. NO PART THEREOF MAY BE REPRODUCED AND USED WITHOUT THE PRIOR WRITTEN CONSENT OF THE OWNER
 CAD FILE: 00804104 DRN: S.M.D DATE: 07-02-90
 MATL: REFER TO COMPONENT CKD: M.H DATE: 19-11-08
 FINISH: REFER TO COMPONENT APP'D: P.M DATE: 19-11-08
 THIRD ANGLE PROJECTION
 SCALE: 2:1 UOS PART No: SEE TABLE SIZE: A3
Amphenol
 Amphenol Australia Pty Ltd, 2 Fireways Blvd, Keysborough, Vic 3173
 DRAWING NO. 128201-000* SHEET 1 OF 1