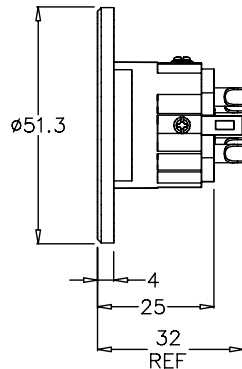
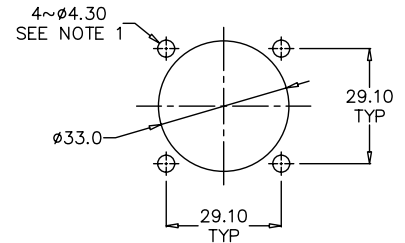
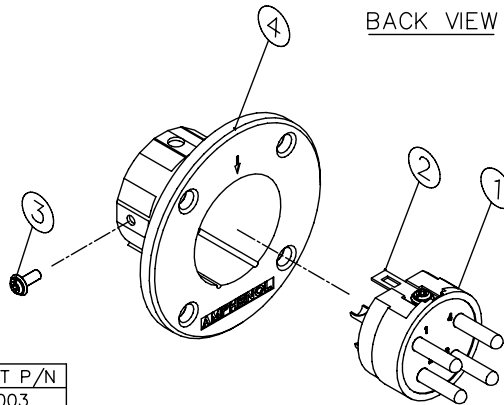
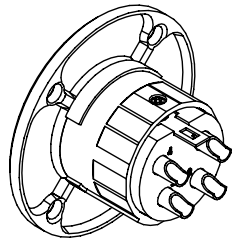


BACK VIEW



TOP VIEW



PANEL CUT OUT

EP-* -14 TYPE	EP/AP INSERT P/N
EP - 3 - 14	156-4402-003
EP - 4 - 14	156-4402-004
EP - 5 - 14	156-4402-005
EP - 6 - 14	156-4402-006
EP - 8 - 14	156-4402-008

NOTE: 1. THE DIAMETER OF THE 4 MOUNTING HOLES ON THE PANEL CUT OUT DEPENDS ON THE SIZE OF THE SCREW TO BE USED
2. FOR EXAMPLE: FOR AN EP-4-14 USE ASSY No. 128037-0004

ITEM	PART No.	DWG No.	DESCRIPTION	QTY	DIMENSIONS IN MILLIMETRES	THIRD ANGLE PROJECTION	SCALE: 2:1 UOS	PART No:	SEE TABLE	SIZE: A3	126037-000*	1 OF 1
4	248-4099-0**	248-4099-0**	EP-* -14 SHELL	1								
3	990-4500-000	990-4500-000	2-32 PAN WASHER FACE SCREW	2								
2	357-4400-000	357-4400-000	EP RETAINER	1								
1	SEE TABLE	SEE TABLE	EP/AP PIN INSULATOR ASSEMBLY	1								

2	OMT PART NUMBER EP - 2 - 14 PRODUCT ABSOLETE	M.N.H.	19-11-08	8784
1	UPDATE TO AMPHENOL TITLE BLOCK & LOGO REDRAW, ADD BOM & PANEL CUT OUT	M.N.H.	12-04-01	7784
0	FIRST ISSUE	D.v.E.	15-04-94	----
REV.	CHANGE DETAILS	BY	DATE	CHG/No

UNLESS OTHERWISE SPECIFIED TOLERANCE TO BE				THIS DOCUMENT IS THE PROPERTY OF AMPHENOL AUSTRALIA PTY. LTD.. NO PART THEREOF MAY BE REPRODUCED AND USED WITHOUT THE PRIOR WRITTEN CONSENT OF THE OWNER			
LINEAR	ANGULAR			CAD FILE: 00806102	DRN: C.J.W.	DATE: 15-04-94	TITLE: EP-* -14 CUSTOMER DRAWING
X ± 0.50	X' ± 1'			MATL: REFER TO COMPONENT	CKD: M.H	DATE: 19-11-08	Amphenol Amphenol Australia Pty Ltd, 2 Fireways Blvd, Keysborough, Vic 3173
XX ± 0.25	XX' ± 30'			FINISH: REFER TO COMPONENT	APP'D: P.M	DATE: 19-11-08	
XXX ± 0.10	XXX' ± 15'			DRAWING NO. 126037-000*			
DO NOT SCALE				SHEET 1 OF 1			