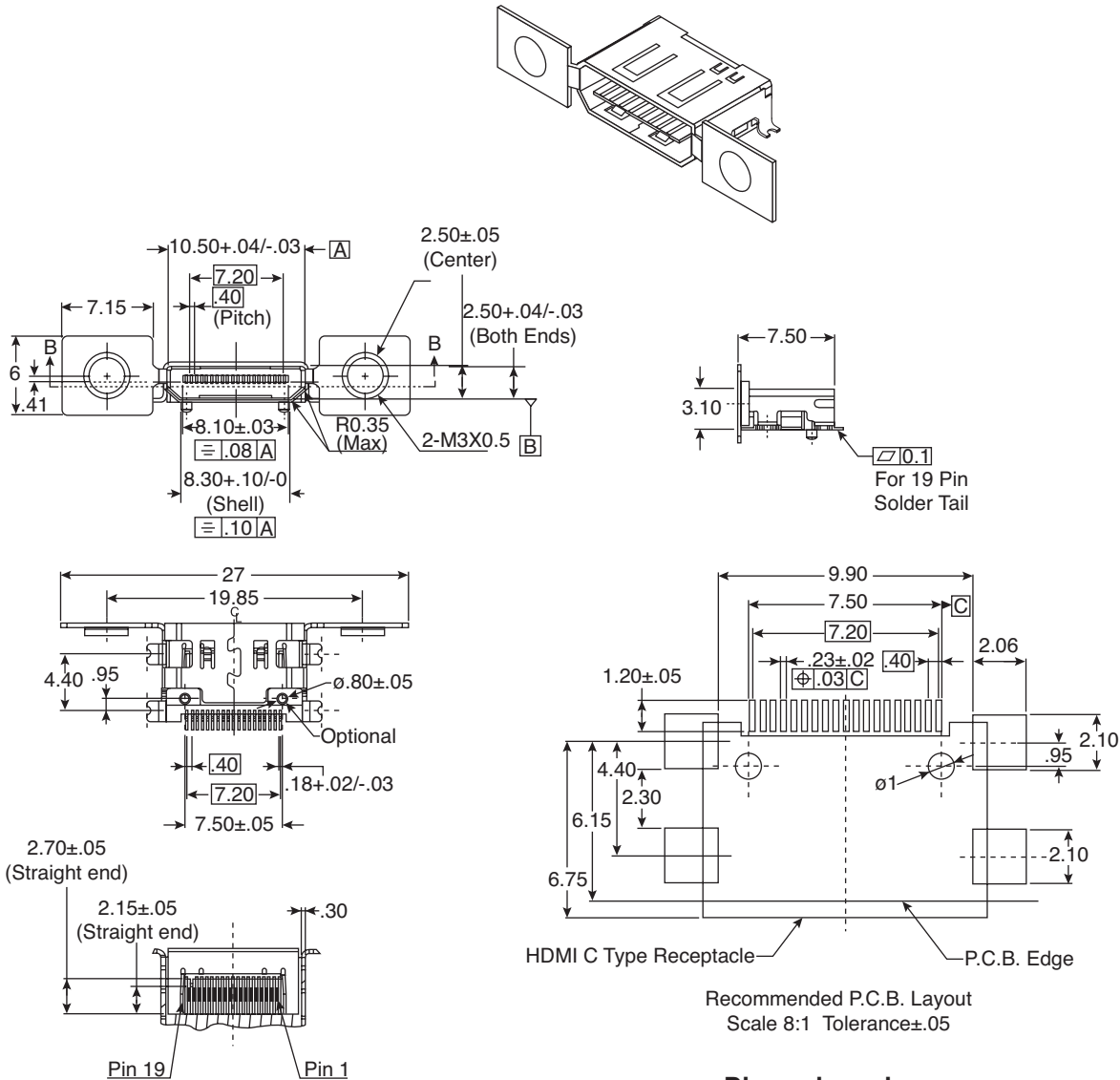


# HDMI Receptacle, Type C, Right Angle SMT

154-10412-E



HDMI Receptacle, Type C, Right Angle SMT



Dimensions: in.

SPECIFICATIONS	
Current Rating:	0.5A
Voltage Rating:	40V DC
Contact Resistance:	10mΩ max.
Insulation Resistance:	100mΩ min.
Operating Temperature:	-25°C -185°C
RoHS Compliant	

MATERIALS	
Housing:	High temp. plastic, UL94V-0
Color:	Black
Shell / Terminal:	Copper alloy, Gold plating, underplating Nickel overall

Date Last Revised: 3-25-08

Available from Mouser Electronics  
1-800-346-6873 / www.mouser.com

KC-301237

Specifications are subject to change without notice. No liability or warranty implied by this information. Environmental compliance based on producer documentation.

154-10412-E