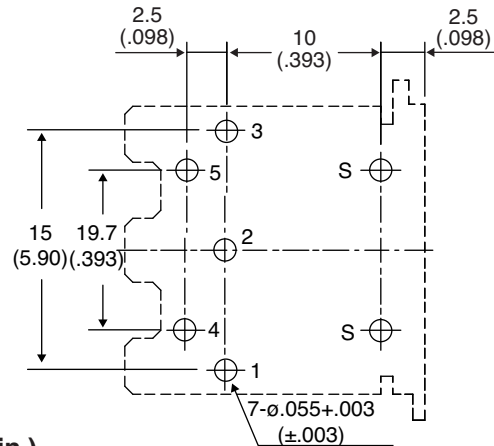
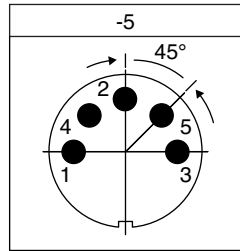
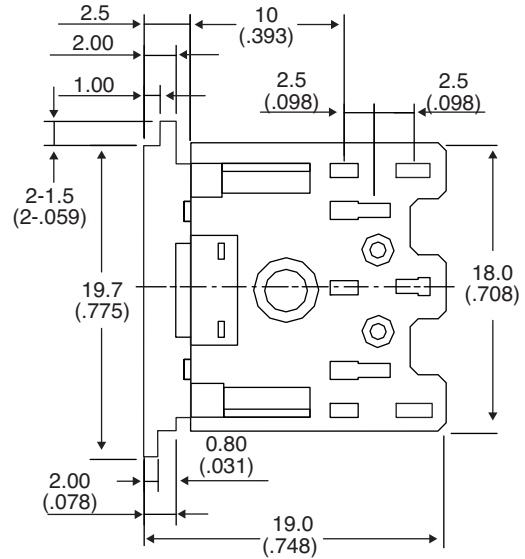
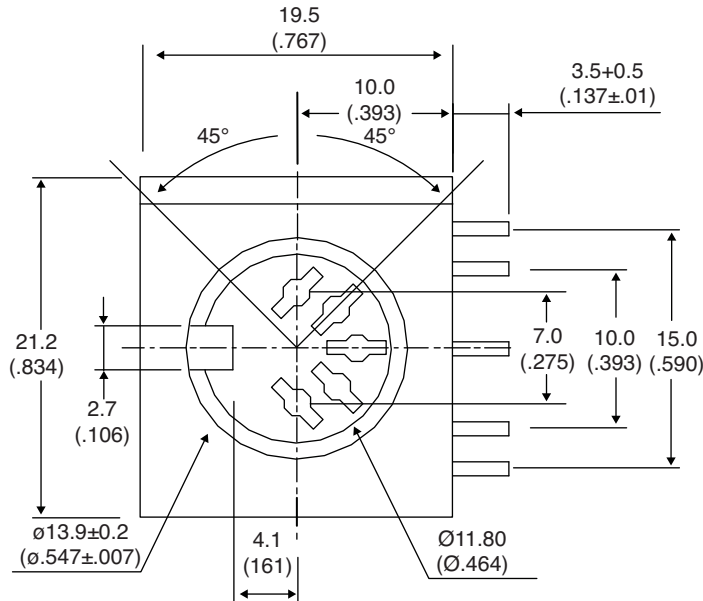


Din Jack

161-0504-E



Din Jack



Dimensions: mm (in.)

PCB Layout ±0.1 (±.003)
(Bottom View)

ELECTRICAL

Type:	PCB, 5 Pin , Unshielded
Insulation Resistance:	100MΩ @ 500V
Dielectric Strength:	500V AC for 1 min.
Contact resistance:	30mΩ max.
Operating Temperature:	-20°C to 60°C
Rating:	DC 24V, 1A
Life Expectancy:	5,000 cycles min.
Soldering Heat:	Solder Temp 260±5°C @ 5±1 seconds dip time

MATERIALS

No.	Part Name	Q'ty	Material	Plated	Color
1	Contact	5	Brass	Sn/Cu	-
2	Sleeve	1	P.B.S.	Sn/Cu	-
3	Housing	1	PBT-94V0	-	Black
4	Cover	1	PBT-94V0	-	Black

Date Last Revised: 12-15-08

Available from Mouser Electronics
1-800-346-6873 / www.mouser.com

KC-301189

Specifications are subject to change without notice. No liability or warranty implied by this information. Environmental compliance based on producer documentation.

161-0504-E