

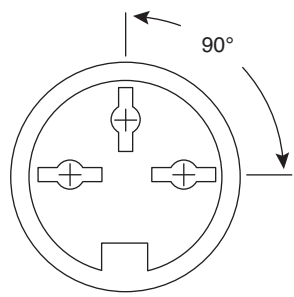
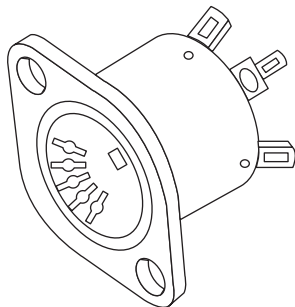
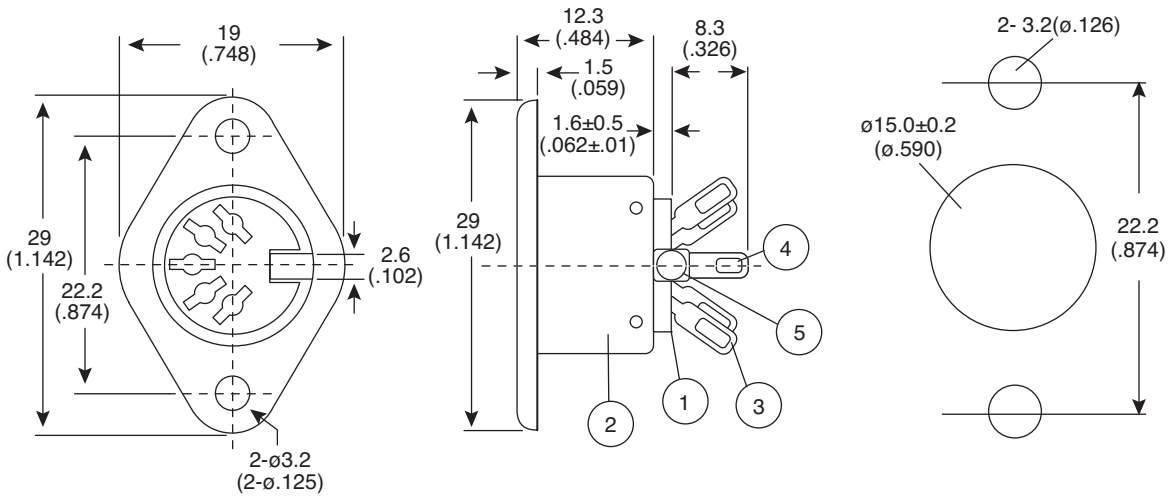
DIN Receptacles

161-0003-E, 161-0005-E, 161-0006-E

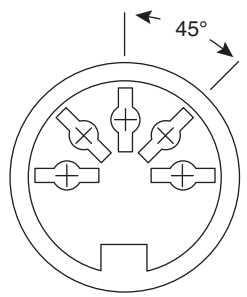


DIN Receptacles

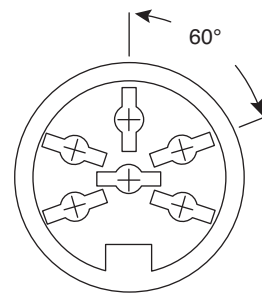
161-0003-E, 161-0005-E, 161-0006-E



3 Contacts
161-0003-E



5 Contacts
161-0005-E



6 Contacts
161-0006-E

Dimensions: mm (in.)

SPECIFICATIONS	
Rating:	2A/100VAC
Insulation Resistance:	300MΩ min @ 500VDC
Dielectric Strength:	1,000VAC for 1 Minute
Contact Resistance:	20mΩ max
Insertion Force:	4Kg max
Withdrawal Force:	1-3.5Kg

MATERIALS		
No.	Part Name	Material / Plating
1	Insulator	1 PBT
2	Socket Case	Nickel Plated
3	Contact	Tin Plated Brass
4	Earth Pin	Nickel Plated Brass
5	Rivet	Nickel Plated Aluminum

Mouser Stock No.	Description	Degree of Arc
161-0003-E	3 Pin Metal Body	180°
161-0005-E	5 Pin Metal Body	180°
161-0006-E	6 Pin Metal Body	240°
RoHS Compliant		

Date Last Revised: 12-16-09

Available from Mouser Electronics
1-800-346-6873 / www.mouser.com

KC-301198

Specifications are subject to change without notice. No liability or warranty implied by this information. Environmental compliance based on producer documentation.