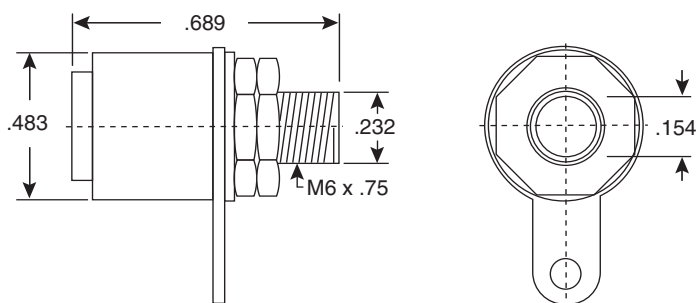
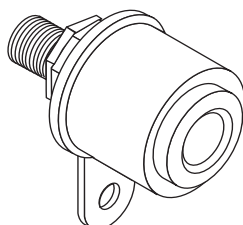


# Banana Jacks

16BJ381, 16BJ382, 16BJ383



Banana Jacks



**DIMENSIONS IN.**

SPECIFICATIONS	
Type:	banana, chassis mount
Voltage Rating:	125VAC 5A max.
Breadkdown Voltage:	300VAC-1000VDC
Body, Nut:	nickel plated brass
Molded Body:	ABS plastic
Solder Lug, Washer:	nickel plated steel
Colors:	red (16BJ381), black (16BJ382), green (16BJ383)

16BJ381, 16BJ382, 16BJ383

Date Last Revised: 4-19-05

Available from Mouser Electronics  
1-800-346-6873  
www.mouser.com

KC-300575

Specifications are subject to change without notice. No liability or warranty implied by this information. Environmental compliance based on producer documentation.