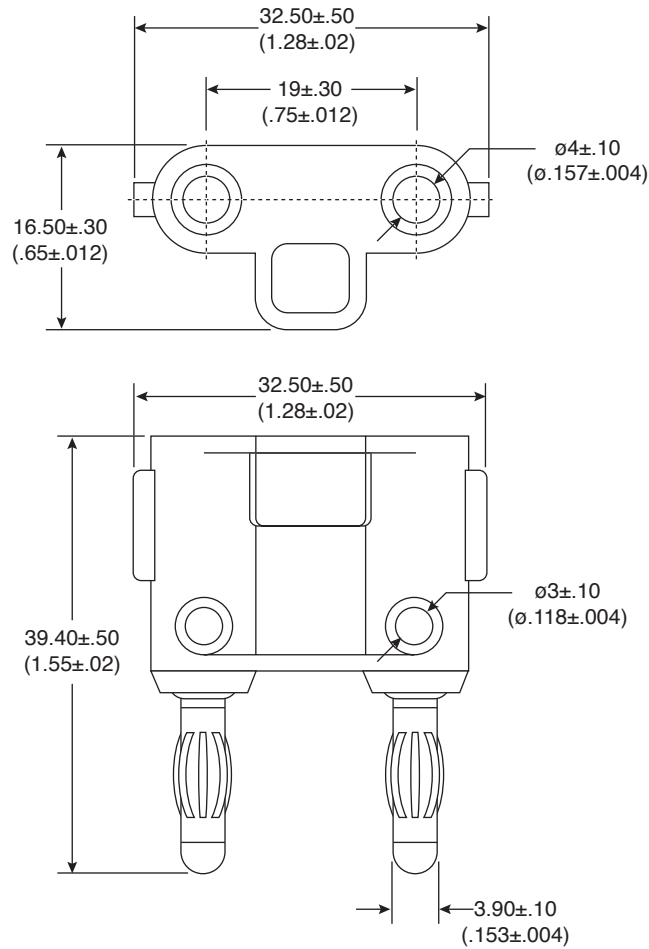


Dual Test Adapter

174-R884-EX



Dual Test Adapter



Dimensions: mm (in.)

Specifications	
Rating:	10A
Insulation Resistance:	500VDC 100M Ω Min.
Dielectric Strength:	1500VAC 1 Minute
Temperature Range:	-20°C ~ +80°C
RoHS Compliant by Exemption	

Date Last Revised: 3-5-07

Available from Mouser Electronics
1-800-346-6873 / www.mouser.com

KC-301113

174-R884-EX

Specifications are subject to change without notice. No liability or warranty implied by this information. Environmental compliance based on producer documentation.