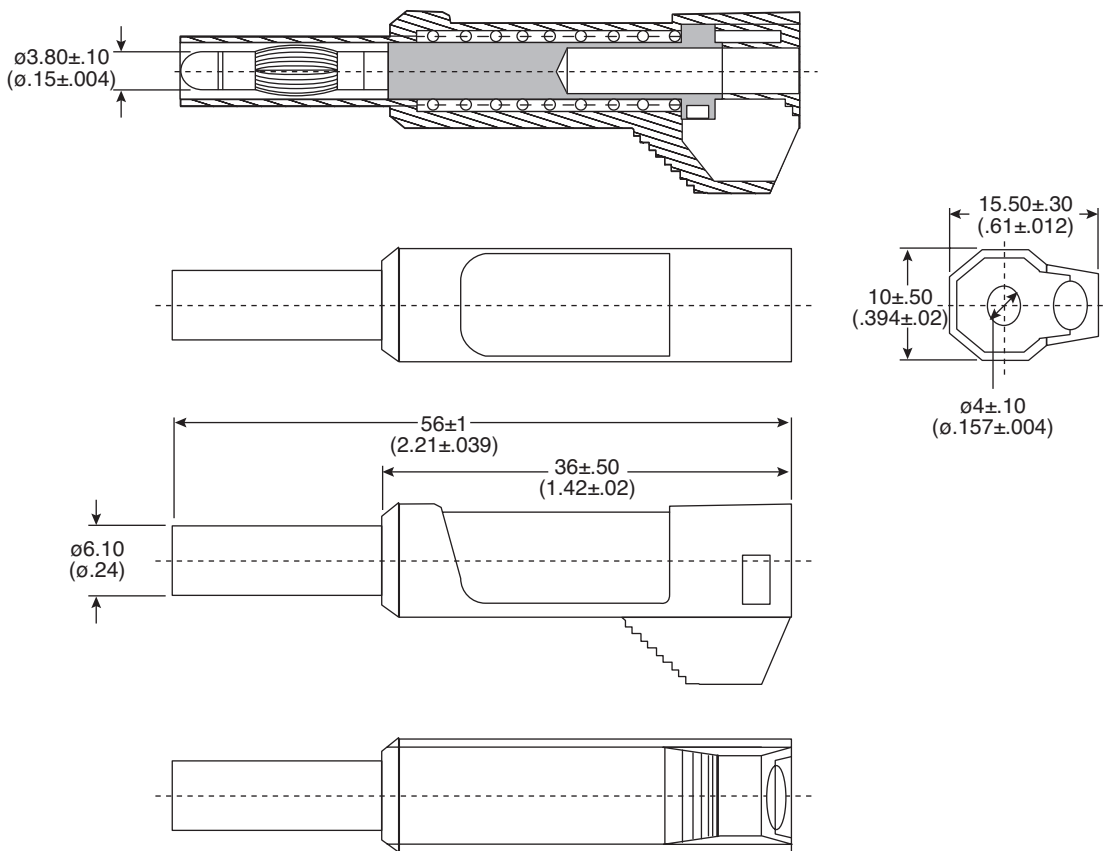


Banana Plugs



174-8103B-EX, 174-8103R-EX

Banana Plugs



Dimensions: mm (in.)

SPECIFICATIONS

Rating:	10A
Insulator Resistance:	500VDC 100M Ω min.
Dielectric Strength:	1500VAC 1 minute
Temperature Range:	-20°C to +80°C
RoHS Compliant by Exemption	

MATERIALS

Tube:	P.P
Spring:	SWPA, $\phi 0.35$
Terminal:	Copper Alloy, Ni-Plating
Housing:	Nylon #66

Date Last Revised: 3-6-07

Available from Mouser Electronics
1-800-346-6873 / www.mouser.com

KC-301102

Specifications are subject to change without notice. No liability or warranty implied by this information. Environmental compliance based on producer documentation.

174-8103B-EX, 174-8103R-EX