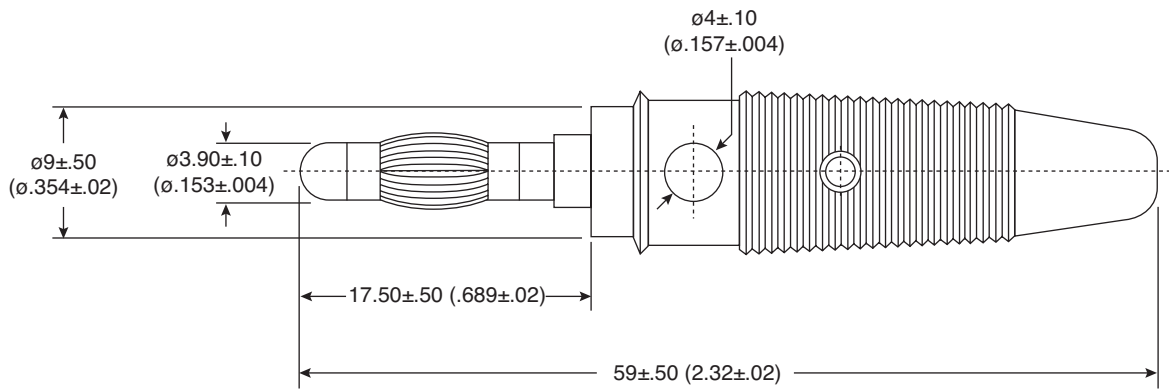


Banana Plugs

174-R825B-EX, 174-R825R-EX



Banana Plugs



Dimensions: mm (in.)

SPECIFICATIONS

Rating:	10A
Insulator Resistance:	500VDC 100M Ω min.
Dielectric Strength:	1500VAC 1 minute
Temperature Range:	-20°C to +80°C
RoHS Compliant by Exemption	

Date Last Revised: 3-6-07

Available from Mouser Electronics
1-800-346-6873 / www.mouser.com

KC-301104

Specifications are subject to change without notice. No liability or warranty implied by this information. Environmental compliance based on producer documentation.

174-R825B-EX, 174-R825R-EX