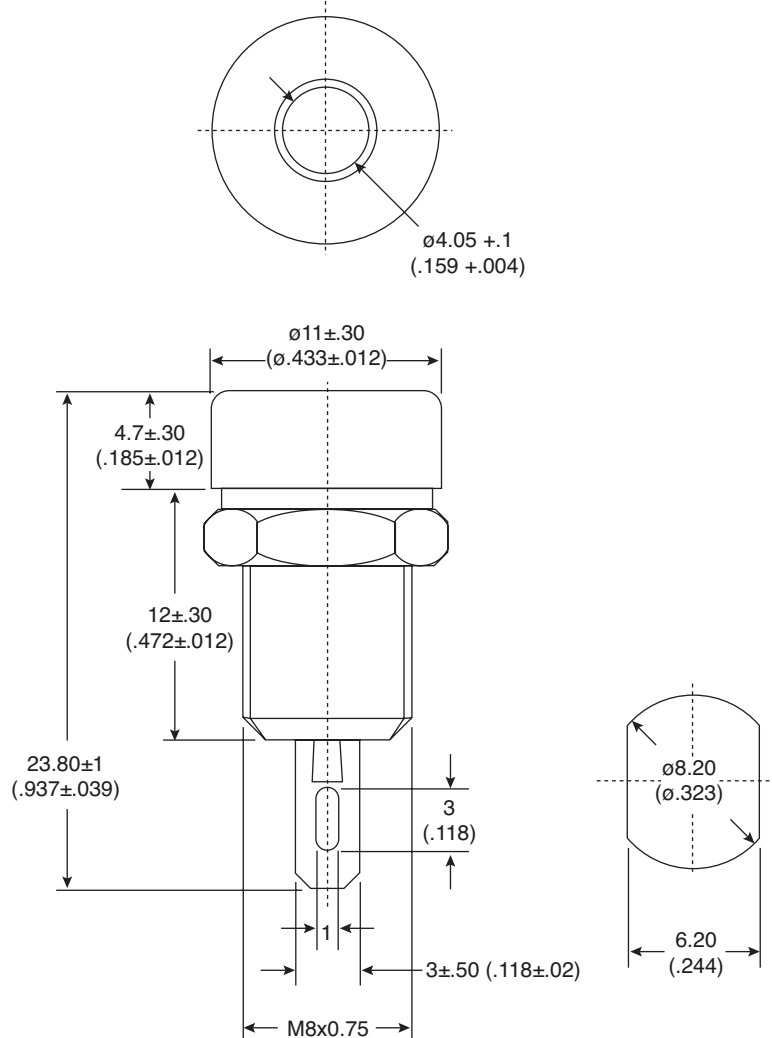


# Banana Jacks



164-R116B-EX, 164-R116R-EX

Banana Jacks



Dimensions: mm (in.)

Mouser Stock No.	Color
164-R116B-EX	Black
164-R116R-EX	Red

Specifications	
Rating:	10A / 125VAC
Insulation Resistance:	500VDC 100M $\Omega$ Min.
Dielectric Strength:	1000VAC 1 Minute
Temperature Range:	-10°C ~ +80°C
RoHS Compliant by Exemption	

Material	
Insulation:	Nylon UL94V-2
Metal:	Nickel Plated Brass

Date Last Revised: 03/05/07

Available from Mouser Electronics  
1-800-346-6873 / [www.mouser.com](http://www.mouser.com)

KC-301107

Specifications are subject to change without notice. No liability or warranty implied by this information. Environmental compliance based on producer documentation.

164-R116B-EX, 164-R116R-EX