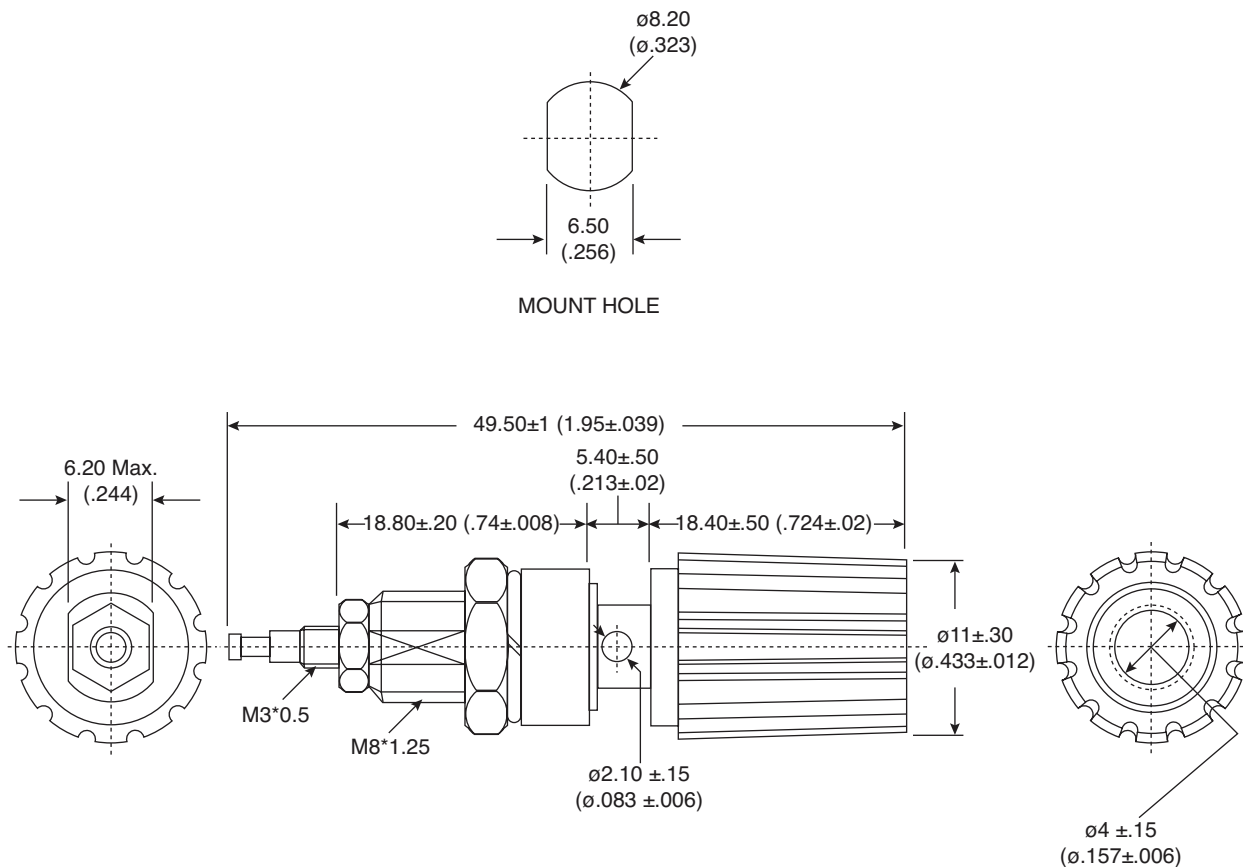


Binding Posts

KOBICONN

164-R109B-EX, 164-R109R-EX

Binding Posts



SPECIFICATIONS

Rating:	10A / 125VAC
Contact Resistance:	50mΩ Max.
Insulator Resistance:	500V DC 100MΩ Min.
Dielectric Strength:	1500V AC 1 minute
Temperature Range:	-10°C ~ +80°C
RoHS Compliant by Exemption	

MATERIAL

Insulation:	Nylon UL94V-2
Metal:	Nickel plated brass
Panel Thickness:	.5-6.5mm

Date Last Revised: 03/06/07

Available from Mouser Electronics
1-800-346-6873 / www.mouser.com

KC-301098

Specifications are subject to change without notice. No liability or warranty implied by this information. Environmental compliance based on producer documentation.

164-R109B-EX, 164-R109R-EX